

Patents, Designs, and Trade Marks

SUPPLEMENT

TO THE

NEW ZEALAND GAZETTE

OF

THURSDAY, OCTOBER 5, 1911.

Published by Authority.

WELLINGTON, THURSDAY, OCTOBER 5, 1911.

CONTENTS.

	Page
International and Intercolonial Arrangements for the Mutual Protection of Patents and Trade Marks ..	2961
Notice <i>re</i> Holiday	2962
Applications for Letters Patent filed	2962
Complete Specifications filed after Provisionals ..	2963
Complete Specifications accepted	2963
Provisional Specifications accepted	2966
Letters Patent sealed	2966
Letters Patent on which Fees have been paid ..	2967
Subsequent Proprietors of Letters Patent registered	2967
Notice of Request to amend Specification	2967
Request for Amendment of Specification allowed ..	2967
Request for Correction of Clerical Error in Application for Letters Patent	2967
Applications for Letters Patent abandoned ..	2967
Applications for Letters Patent void	2968
Applications for Letters Patent lapsed	2968
Letters Patent void	2968
Design registered	2968
Applications for Trade Marks filed	2968
Applications for Registration of Trade Marks ..	2968
Trade Marks registered	2972
Trade Mark Renewal Fees paid	2972
Trade Marks removed from the Register	2972
Quarterly List of Inventors*	2973
Quarterly List of Inventions*	2982
Quarterly List of Applicants for Trade Marks* ..	2991

* Alphabetical lists for the preceding quarter of the year 1911 appear in *Gazette* No. 37, of the 4th May, 1911.

International and Intercolonial Arrangements for the Mutual Protection of Patents and Trade Marks.

INTERNATIONAL CONVENTION.

THE following countries now belong to the Convention :—

- | | |
|--|--|
| Australia. | Hungary. |
| Austria. | Italy. |
| Belgium. | Japan. |
| Brazil. | Mexico. |
| Ceylon. | New Zealand. |
| Cuba. | Norway. |
| Denmark and Faroe Islands. | Portugal, with the Azores and Madeira. |
| Dominican Republic. | and Madeira. |
| France, with Algeria and colonies. | Spain. |
| Germany. | Sweden. |
| Great Britain. | Switzerland. |
| Holland, with East Indian colonies, Curaçoa, and Surinam.* | Trinidad and Tobago. |
| | Tunis. |
| | United States of America. |

* Trade marks only.

Separate arrangements have been made between Australia and New Zealand.

Particulars of the Convention and of such arrangements may be seen in the following *Gazettes* :—

Notification of adhesion of New Zealand to the Convention, with text thereof (in English), in the *Gazette* of 26th November, 1891; notification of adherence of New Zealand to the Additional Act of the Convention, in Patents Supplement to *Gazette* No. 101, of the 16th November, 1905; Order in Council applying section 103 of the Imperial Act to New Zealand, in *Gazette* No. 27, of the 15th May, 1890; Orders in Council containing arrangements between Australia and New Zealand, in Patent Supplements to the *Gazette* Nos. 22, of the 9th March, 1905, and 38, of the 20th April, 1905.

Government Offices to be closed on 23rd October (Labour Day).

Office of the Minister of Internal Affairs, Wellington, 29th September, 1911.
 THE Government offices throughout New Zealand will be closed on Monday, 23rd October, 1911, being Labour Day.

D. BUDDO,
 Minister of Internal Affairs.

Applications for Letters Patent filed.

LIST of applications for Letters Patent filed. (Where a complete specification accompanies an application an asterisk is affixed; in all other cases a provisional specification has been lodged. In all cases where the applicant is not the inventor the name of the latter appears in italics in brackets. † Denotes an application under the International and Intercolonial Arrangements.)

Williams, E. A., Dannevirke, N.Z.	Clothes-prop; 30220; 15th September.
Gale, J., Geraldine, N.Z.	Sewing-machine; 30221; 16th September.
Shaw, H. H., Hamilton, N.Z.	Water-power motor*; 30222; 14th September.
Leitz, W. F., Gisborne, N.Z.	Carburettor; 30223; 18th September.
Shaw, T., jun., Westport, N.Z.	Gas-generator; 30224; 19th September.
Seifert, W., Palmerston North, N.Z.	Flax-catcher; 30225; 19th September.
Downing, H. W., Christchurch, N.Z.	Saddle*; 30226; 19th September.
Page, J. J., Dunedin, N.Z.	Cool-storage safe*; 30227; 19th September.
Page, S., Auckland, N.Z.	Cool storage safe*; 30227; 19th September.
Ward, B., Tauranga, N.Z.	Fencing-post; 30228; 19th September.
Trist, J. W., Christchurch, N.Z.	Pacing hopple protector; 30229; 19th September.
Small, G. M., Christchurch, N.Z.	Pacing-hopple protector; 30229; 19th September.
Lang, R., Geraldine, N.Z.	Knife-cleaner; 30230; 20th September.
Aickin, J., Auckland, N.Z.	Ore-smelter; 30231; 16th September.
Taine, W., Dunedin, N.Z. (<i>Sinclair, J.</i>)	Boot-blackening, &c., container*; 30232; 20th September.
Wright, A. H., Wellington, N.Z.	Travelling band; 30233; 20th September.
O'Connor, J. H., Greytown, N.Z.	Honey-extracting; 30234; 20th September.
Hebley, F. R., Greytown, N.Z.	Honey-extracting; 30234; 20th September.
Atkinson, A. H., Auckland, N.Z.	Gas-meter; 30235; 20th September.
Jorgensen, A. G., Wellington, N.Z.	Non-refillable bottle; 30236; 20th September.
Jorgensen, V. A., Wellington, N.Z.	Non-refillable bottle; 30236; 20th September.
Scott, W., Christchurch, N.Z.	Friction-clutch; 30237; 20th September.
Reynolds, E. C., Dunedin, N.Z.	Lock; 30238; 19th September.
Donehue, A., Narrawong, Vic.	Forest-devil; 30239; 21st September.
Smith, H. W., Auckland, N.Z.	Gas-engine timing rod; 30240; 20th September.
Young, W., Auckland, N.Z.	Gas-engine timing-rod; 30240; 20th September.
Smith, H. W., Auckland, N.Z.	Carburettor; 30241; 20th September.
Young, W., Auckland, N.Z.	Carburettor; 30241; 20th September.
Phillips, W. A., London, Eng.	Oxides of nitrogen obtaining*; 30242; 26th November, 1910.†
Bulteel, J. G., London, Eng.	Oxides of nitrogen obtaining*; 30242; 26th November, 1910.†
Phillips, W. A., London, Eng.	Oxides of nitrogen obtaining*; 30243; 20th February.†
Bulteel, J. G., London, Eng.	Oxides of nitrogen obtaining*; 30243; 20th February.†
Dall, W., Dunedin, N.Z.	Fence-dropper; 30244; 20th September.
Worslev, C. H., Wellington, N.Z. (<i>Bratby and Hinchcliffe, Limited</i>)	Bottle-stopper; 30245; 22nd September.
James, W. G., Stratford, N.Z.	Cigarette-holder*; 30246; 22nd September.
Fischbach, P., Gisborne, N.Z.	Rowing-seat; 30247; 16th September.
Stewart, W. W., Gisborne, N.Z.	Intercepting-trap; 30248; 20th September.
Gardner, H. B., Gisborne, N.Z.	Intercepting-trap; 30248; 20th September.
Hursthouse, E. W., Wellington, N.Z.	Vacuum cleaner*; 30249; 23rd September.
Tait, P., Denniston, N.Z.	Hammer; 30250; 21st September.
Speight, B., Taumarunui, N.Z.	Saw; 30251; 26th September.
Naismith, R. E., Timaru, N.Z.	Wool-bale-sewing appliance; 30252; 21st September.
Simpson, H., Auckland, N.Z.	Towel-roller; 30253; 21st September.
Holmes, G. G., jun., Pigeon Bay, N.Z.	Knife-cleaner; 30254; 22nd September.
Rowlandson, W. C., Dunedin, N.Z.	Boot, &c., hill-climbing attachment; 30255; 21st September.
Phillips, E., Melbourne, Vic. (<i>Gesellschaft für Drahtlose Telegraphie m. b. H.—Rendahl, R. H.</i>)	Electric oscillation circuit*; 30256; 26th September.
Phillips, E., Melbourne, Vic. (<i>Gesellschaft für Drahtlose Telegraphie m. b. H.—Leib, A., and Frey, A.</i>)	Wireless telegraph-station connection changing*; 30257; 26th September.
Joyce, J. J., Sydney, N.S.W.	Bag*; 30258; 27th September.
Dennis, H., Adelaide, S. Aust.	Building-block, &c.*; 30259; 27th September.
Sheppard, C. G., Adelaide, S. Aust.	Building-block, &c.*; 30259; 27th September.
Watts, R. O., Adelaide, S. Aust.	Building-block, &c.*; 30259; 27th September.
Dönges, J., Drayton, Queens.	Grain, &c., screen*; 30260; 27th September.
Ewbank, W. W., Melbourne, Vic.	Oil-obtaining from peas; 30261; 27th September.
Oliver, J., Bluff, N.Z.	Sausage-machine; 30262; 27th September.
Anderson, A. C., Bluff, N.Z.	Sausage-machine; 30262; 27th September.
Diehl, A. C., Camden, U.S.A.	Talking-machine*; 30263; 27th September.
Diehl, A. C., Camden, U.S.A.	Talking-machine*; 30264; 27th September.
Goddall, T., Christchurch, N.Z.	Tram-car guard-rail; 30265; 26th September.
Ferry, J. C., Sydney, N.S.W.	Trouser hip-pocket*; 30266; 27th September.
Folyerd, G. R., Christchurch, N.Z.	Egg-substitute; 30267; 26th September.
Wright, A. H., Auckland, N.Z.	Advertisement-sheet displaying; 30268; 26th September.
Wright, W. G., Rangiora, N.Z.	Motor-vehicle lamp attaching; 30269; 28th September.
Watkins, P. H., Rangiora, N.Z.	Motor-vehicle lamp attaching; 30269; 28th September.
Webber, S. A., Rangiora, N.Z.	Motor-vehicle lamp attaching; 30269; 28th September.
Hawkes, J. H., Timaru, N.Z.	Wool-pack closing; 30270; 27th September.
Eustage, T. P., Wellington, N.Z.	Liquid-strainer, filler, &c.; 30271; 28th September.
Williams, A. J., Opoitiki, N.Z.	Acetylene-generator; 30272; 28th September.
Bromwich, K. L., Paeroa, N.Z.	Picture-hanging; 30273; 27th September.
Wright, A. H., Auckland, N.Z.	Displaying information-sheets; 30274; 27th September.
Wilcox, A. E., Auckland, N.Z.	Envelope; 30275; 27th September.

Complete Specifications filed after Provisionals.

LIST of complete specifications filed after provisional specifications from the 15th to the 28th September, 1911, inclusive:—

- No. 28770.—A. J. Rison and W. A. Allen, venetian blind.
 No. 28916.—F. Hudson, table-top connection.
 No. 28919.—J. Gilmour, main water-pipe leak repairing.
 No. 28927.—S. D. Currie, teat-cup.
 No. 29118.—W. Sandlant, clothes-peg.
 No. 29555.—R. Burn, telegraph-form folder.
 No. 29723.—S. Levy, boot.

Notice of Acceptance of Complete Specifications.

Patent Office,
 Wellington, 4th October, 1911.

COMPLETE specifications relating to the undermentioned applications for Letters Patent have been accepted, and are open to public inspection at this office. Any person may, at any time within two months from the date of this *Gazette*, give me notice in writing of opposition to the grant of any such patent. Such notice must set forth the particular grounds of objection, and be in duplicate. A fee of 10s. is payable thereon.

The copies of claims and extracts from the specifications and drawings are merely intended to give some further indication of the invention than is disclosed in the title, and the complete specifications and drawings should be referred to for a description of the invention.

No. 28448.—16th September, 1910.—THOMAS KIDD, of Invercargill, New Zealand, Engineer. Improvements in milking-apparatus.*

Extract from Specification.—It is somewhat on the same lines as that described in my specification No. 28449, filed simultaneously herewith, but it differs therefrom as regards the pulsator in that one piston-casting has three washers instead of two, and there is air on both of the small ends of the piston-castings, and an extra air-hole. Constant vacuum is maintained in only one part of the cylinders, and there is constant air-pressure behind both small piston-heads, and there is an extra port. The pulsator has five piston-valves, instead of four. (Specification, 3s. 3d.)

[NOTE.—The above extract from the specification is inserted in place of the claims.]

No. 28449.—16th September, 1910.—THOMAS KIDD, of Invercargill, New Zealand, Engineer. Improvements in milking-machines.*

Extract from Specification.—A leading feature is forming the pulsator with twin cylinders in which opposite ends are reduced so that at the instant required the larger end of the cylinder contains a larger vacuum or body of air to produce the greater power necessary at that instant to reverse the piston. Subsidiary features are the provision for easily removing the covers so that the pistons may be readily removed for oiling, cleaning, or repairing, or for cleaning out the various parts; protecting all ports or passages from injury by placing them within the pulsator, and making them straight for easy cleaning. Further features are providing reversed pistons for compactness, arranging the vacuum at one point in the middle of the pulsator, instead of at two points as heretofore, so that a simpler piston can be used, and providing two washers on each piston-casting. (Specification, 4s. 9d.)

[NOTE.—The above extract from the specification is inserted in place of the claims.]

No. 28472.—22nd September, 1909.—DONALD MUNRO McDONALD, of "Armidaale," Donnybrook, Victoria, Australia, Dairy-farmer. An improved apparatus for cooling and aerating cream and the like.

Claim.—(1.) In an improved apparatus for cooling and aerating cream and the like, a water-chamber consisting of an outer and an inner shell between which is an annular bottom, an inner top extending across said inner shell, an outer top extending across said outer shell above said inner top, a water-inlet pipe at the bottom of said chamber, a water outlet-pipe at the top of said chamber.

(Specification, 6s.)

[NOTE.—Here follow five other claims.]

No. 28681.—4th November, 1910.—HORACE VICTOR WALLACE, of Sherwood Road, Mount Eden, Auckland, New Zealand, Fibrous Plasterer. Improved plastering for walls, ceilings, and the like.

Extract from Specification.—Plaster-of-paris, 72 per cent.; lime-putty, 26 per cent.; flax-fibre, tow, coconut-fibre, or the like, 2 per cent. The fibre is cut into convenient lengths. (Specification, 1s. 3d.)

[NOTE.—The above extract from the specification is inserted in place of the claims.]

No. 28692.—7th November, 1910.—WILLIAM LIVINGSTONE HATCHWELL BURGESS, of Auckland, New Zealand, Venetian-blind Maker. Improvements in or relating to venetian blinds.*

Claims.—(1.) In venetian blinds constructed and operating in the manner described, a ratchet-wheel secured upon one end of the blind-supporting roller, and a pawl pivoted upon the head-board and underlying such ratchet-wheel and so constructed as to be raised into engagement with the ratchet-wheel by the manipulation of the blind-operating cord, substantially as specified. (2.) In venetian blinds of the class described, a ratchet-wheel secured upon one end of the blind-supporting roller, a crank-bar pivoted upon the head-board and underlying such wheel, and a second crank connected with the crank-bar and extending forwardly from the pivot-point thereof and arranged adjacent to the depending portion of the blind-operating cord, substantially as specified. (3.) The improvements in or relating to venetian blinds constructed and operated substantially as described and explained, as illustrated in the drawings, and for the purposes set forth. (Specification, 4s. 9d.)

No. 28702.—7th November, 1910.—JETHRO R. C. JONES, of Auckland, New Zealand, Farmer. An improved two-wheeled vehicle-brake.*

Claim.—(1.) An improved two-wheeled vehicle-brake constructed by mounting above the axle of the vehicle, a horizontal rod running across beneath the under-frame of the body and having its ends formed into or secured to diagonal side rods carrying brake-blocks at their lower ends, said lower ends of the diagonal rods being respectively connected beneath the axle to an arm, and the lower end of a hand-lever mounted or formed on the ends of a front horizontal rod, running across beneath the under-frame of the body, in the manner and for the purposes set forth, as described and illustrated. (Specification, 4s. 3d.)

[NOTE.—Here follow two other claims.]

No. 28708.—10th November, 1910.—UNITED SHOE MACHINERY COMPANY, of Paterson, in the State of New Jersey, United States of America, a corporation duly organized under the laws of said State of New Jersey, carrying on business as Shoe-machinery Manufacturers, and having a place of business at 205 Lincoln Street, Boston, in the Commonwealth of Massachusetts, in said United States of America (assignees of Arthur Ernest Jerram, Joseph Gouldbourn, and Arthur Bates, all of Leicester, England, Engineers). Improvements in or relating to heeling-machines.*

Claims.—(1.) For a heel-attaching or heel-nailing machine, the combination with mechanism operated hydraulically, or by other power, for moving relatively work-engaging members so as to exert a predetermined pressure upon the work located between them irrespective of its thickness, of a hydraulic or other device to lock the said members in such position of pressure against relative movement, for the purpose described, with or without the provision of means by which the said device unlocks the members after the nails have been driven into the work. (2.) For a heel-attaching or heel-nailing machine, the arrangement that work-engaging members are moved relatively to one another to engage the work by a preliminary movement of a manually operable part, and by a further movement of the said part automatically operating hydraulic or other power mechanism is thrown into action first to exert pressure on the work, then to lock the said members against relative movement to maintain the pressure on the work, and finally to unlock the said members to permit removal of the work. (Specification, £1 2s. 6d.)

[NOTE.—Here follow twenty other claims.]

No. 28709.—10th November, 1910.—UNITED SHOE MACHINERY COMPANY, of Paterson, in the State of New Jersey, United States of America, a corporation duly organized under the laws of said State of New Jersey, carrying on business as Shoe-machinery Manufacturers, and having a place of business at 205 Lincoln Street, Boston, in the Commonwealth of Massachusetts, in said United States of America (assignees of Orrell Ashton, of Swampscott, Essex, in said Commonwealth of Massachusetts, Machinist). Improvements in or relating to pulling-over and like machines.*

Claims.—(1.) In a pulling-over or like machine, a toe-gripper having sectional jaws capable of turning independently on their own axes, and also together about a common axis, with or without means for simultaneously opening and closing said jaws. . . . (4.) In a pulling-over or like machine having sectional toe-grippers, side grippers constructed and arranged to be capable of following a longitudinal movement of said toe-grippers, with or without means (such, for example, as 43, 44) for compelling such following movement, and with or without means (such, for example, as 42) for restoring said side grippers to normal position at the close of an operation, all for the purpose specified. (7.) In a pulling-over or like machine, sectional toe-clamps constructed and arranged to hold the upper in pulled-over position, in combination with toe-lasting wipers guided by said toe-clamps in relation to the plane of the sole. (11.) In a pulling-over or like machine, a pivoted tack-block, and a driver arranged to actuate said tack-block forwardly over the work as the driver descends to drive the tack. (Specification, £1 17s. 6d.)

[NOTE.—Here follow forty-six other claims.]

No. 28711.—10th November, 1910.—UNITED SHOE MACHINERY COMPANY, of Paterson, in the State of New Jersey, United States of America, a corporation duly organized under the laws of said State of New Jersey, carrying on business as Shoe-machinery Manufacturers, and having a place of business at 205 Lincoln Street, Boston, in the Commonwealth of Massachusetts, in said United States of America (assignees of Louis Amedee Casgrain, of Beverly, in said Commonwealth of Massachusetts, Inventor). Improvements in or relating to work-supports.*

Claims.—(1.) A work-support comprising, in combination, a work-sustaining member, a carrier for the said member (for example, 440), and means, including a device arranged to lock the said carrier, which first cause the carrier to be locked against downward movement and then act unyieldingly to move the work-sustaining member into work-clamping position. (2.) A work-support comprising, in combination, a work-sustaining member, a carrier for the said member normally acted upon by a spring to raise the work-support into work-holding position, and a device adapted not only to lock the carrier with the work-sustaining member in work-clamping position, but also to lock the carrier against movement during the work-releasing movement of the said sustaining member. (Specification, £1.)

[NOTE.—Here follow eleven other claims.]

No. 28722.—10th November, 1910.—JOHN GREENSLADE, of Prebbleton, Canterbury, New Zealand, Engineer. Improvements in suction-fan white-coat lifter for threshing-machines.*

Claim.—In threshing-machines, suction-fans formed with projecting ribs extending in parallel lines across the inside surface of the casing, substantially as and for the purposes specified. (Specification, 1s. 6d.)

No. 28745.—17th November, 1910.—ROBERT BAIN WIGHT, of Takapuna, Auckland, New Zealand, Accountant. An improved sausage or mincing machine.*

Claims.—(1.) In an improved sausage or mincing machine of the class described, a revolvable rake or disengaging-tool provided at the outside of the mesh or perforated plates, in the manner and for the purpose set forth. (2.) An improved sausage or mincing machine of the class described, consisting of a number of screw formations of different diameters, enclosed in casings or chambers, said screw formations being longitudinally connected, and adapted to be revolved by hand or other power, each screw formation being provided at its outer end with its corresponding cutter and mesh-plate, in combination with a rake or disengaging-tool, provided on the outsides of the mesh or perforated plates, in the manner and for the purpose set forth, as described and illustrated. (Specification, 3s.)

No. 28826.—3rd December, 1910.—ELIZABETH MARY THOMPSON, of Telephone Road, Birkenhead, Auckland, New Zealand, Married Woman. An improved single-cord venetian blind rotated by screw or threaded adjustment to roller working in one of the bearings.*

Extract from Specification.—The improvement in this single-cord venetian blind lies in centrally fitting to one end of the roller a screw or thread through one of the bearings in such a way that as the blind is pulled up the roller in rotation will cause the rod to travel through the bearing, or draw it back therethrough, or vice versa as the blind is lowered. The opposite end of the roller is fitted with another rod centrally, which is fluted or otherwise shaped to engage one or more pawls which by its engagement will check the blind, and which can be released or engaged in any of the ways common with the single-cord venetian blinds. (Specification, 3s.)

[NOTE.—The above extract from the specification is inserted in place of the claims.]

No. 29239.—10th March, 1911.—STEPHEN WILSON STEPHENSON, of Patetonga, Farmer, and WILLIAM JOHN COXHEAD, of Waitakaruru, Farmer, both of New Zealand. Improved washing-fluid.

Claim.—A washing-fluid consisting of lime, soda, borax, liquid ammonia, and water in approximately the proportions specified. (Specification, 1s. 3d.)

No. 29256.—14th March, 1911.—ORLANDO VENNING THOMAS, A.M.Inst.C.E., M.Inst.E.E., Municipal Electrical Engineer, of Penang, Straits Settlement. A new or improved electrically insulating compound, and process for preparing the same.

Claim.—(1.) An electrically insulating compound composed of mica, resin, and resin-oil. (Specification, 2s. 9d.)

[NOTE.—Here follow five other claims.]

No. 29436.—26th April, 1911.—ALFRED WOOLNOUGH, of 313 to 319 Cumberland Street, Dunedin, New Zealand, Engineer (assignee of Francis Henry Crittall, of Manor Works, Braintree, Essex, England, Engineer). Improvements in jointing metal sash-bars.

Claim.—(1.) A joint between two T-section sash-bars of equal size in which the flange of one bar lies between the flange and the web of the other bar, the web of each bar having a rectangular slot cut in it to receive the uncut portion of the web of the other bar, such webs being otherwise uncut and undeformed, substantially as described. (Specification, 2s. 9d.)

[NOTE.—Here follow two other claims.]

No. 29568.—18th May, 1911.—ALFRED EDWARD BAYLES, of Pihama, Taranaki, New Zealand, Farmer. Improved composition for curing sore teats and preventing mammitis and cowpox.

Claims.—(1.) For the purpose indicated, a composition consisting of vaseline, mutton-fat, beef-fat, lard, and Jeyes' fluid, substantially as and for the purposes specified. (2.) A composition comprising vaseline one-fourth part, mutton-fat one-fourth part, beef-fat one-fourth part, lard one-fourth part, and Jeyes' fluid in the proportion of 1 per cent. of the whole, substantially as and for the purpose set forth. (Specification, 1s. 3d.)

No. 29658.—1st June, 1911.—EDWIN CUTHBERT WOODFORD and JAMES MCLAY, both of Christchurch, New Zealand, Machine Experts. An improved pulsator for milking-machines.*

Claim.—(1.) A pulsator for milking-machines comprising a body having a main vacuum-port communicating with the main vacuum-pipe, and ports communicating with pulsating-pipes, and a valve-plate having a groove and a slot which connect the said latter ports alternately to the main vacuum-port and the atmosphere, substantially as set forth. (Specification, 4s. 6d.)

[NOTE.—Here follow three other claims.]

No. 29682.—8th June, 1910.—LYNDALY FORSE, of "Westella," Grove Avenue, Yeovil, Somerset, England, Dispenser; JOHN ALDERSON MAYO, of Church Street, Yeovil aforesaid, Solicitor; and FREDERICK STANLEY SPILLER, of 10 Estelle Road, Hampstead, London, England, Commissionaire. Improvements in and relating to wheels for vehicles.

Extract from Specification.—In making tires it has been proposed to form the rim of hinged members with free or unattached ends adapted to be collapsed by folding the hinged portions inwardly one over the other. This invention has for its object to provide an improved construction of wheel of this type, whereby the parts may be more readily taken apart and assembled and firmly held together in use. In a wheel made in accordance with this invention, the detachable and collapsible rim is adapted to be forced out into its expanded position by a toggle-lever. (Specification, 2s.)

[NOTE.—The above extract from the specification is inserted in place of the claims.]

No. 29873.—15th July, 1911.—JOHN THOMAS HOPKINS, of 27 Bolton Street, Petone, Wellington, New Zealand, Plumber. Improvements in or relating to stop-cooks.*

Extract from Specification.—According hereto, a screw is threaded through a boss formed upon the side of the casing of the cook, and is adapted to pass into the port of the plug when the cook is closed and thereby lock the cook. The outer end of the screw has a special shape, and is covered by the boss. A special key is therefore necessary to operate the screw. (Specification, 2s. 9d.)

[NOTE.—The above extract from the specification is inserted in place of the claims.]

No. 29898.—21st July, 1911.—EDMUND MATTHEW CLAYTON, of Manurewa, Auckland, New Zealand, Farmer. The prevention and curing of American blight in fruit-trees.

Extract from Specification.—1 lb. caustic soda, $\frac{1}{2}$ pint of eucalyptus, 2 oz. sulphur, 1 egg-cupful of olive-oil, when mixed together. (Specification, 1s.)

[NOTE.—The above extract from the specification is inserted in place of the claims.]

No. 29916.—13th August, 1910.†—PERCIVAL ARTHUR BENTLEY of 161 Waterloo Street, Burton-on-Trent, Staffordshire, England, Clock and Watch Maker. Improvements in or relating to electrically driven clocks.

Extract from Specification.—The primary feature of the present invention is that the contacts are so arranged that if the amplitude of the swing of the pendulum increases above the normal, the current is caused to exert a retarding force on the pendulum as it commences its next swing, the amplitude of the swing being thus maintained practically constant. (Specification, 10s.)

[NOTE.—The above extract from the specification is inserted in place of the claims.]

No. 29949.—1st August, 1911.—HUGO GROB, of No. 119 Schaffhauser-Strasse, Zurich, Switzerland, Engineer. Improvements in the regulation of electric tensions.

Claim.—(1.) Plant for generating and storing electric power in which the current-generator is driven at varying speeds and loaded with varying loads, characterized by the fact that the tension between any two points (A A') in the plant, and which is to be directly regulated, tends to send current through a current-controlling device (C), adapted to allow but little or no current to pass, or even to return current below a certain voltage, but also adapted to allow a rapid increase of the current passing through it, as soon as the said voltage is exceeded, if only to a slight extent, and that the strength of the current passing influences the amount of the excitation-current of the current-generator or of its excitation-machine. (Specification, 16s. 3d.)

[NOTE.—Here follow thirty-five other claims.]

No. 29956.—20th September, 1910.†—THOMAS EDWARD WARD, of 11 Evans Street, Balmain, near Sydney, New South Wales, Australia, Engineer, and JOSEPH GAUT, of 3 Cary Street, Leichhardt, near Sydney aforesaid, Designer. Improvements in totalizers.

Extract from Specification.—The invention comprises one or more sets of ticket-drawers and ticket-issuing mechanism with electro-magnetic automatic locking-devices, ball-reservoirs, electro-magnetic ball-release mechanism, revolvable numbering-drums on telescopic shafts, together with gearing whereby the different mechanism is actuated, resulting in showing on a scoring-board the number of tickets issued on each horse and the total number of tickets issued on all the horses. The recording-mechanism may be any distance away from the ticket-issuing mechanism. An automatic control is provided to lock the ticket-push if no ball should be released. Means are also provided for locking the ticket-drawers simultaneously on the start of a race. When the tickets are ejected the balls are automatically released from their trays, and gravitate through tubes to the recording-mechanism connected with the respective horses. The balls may be released and recorded on the recording-wheels by means of a rotary stop, or a reciprocating stop-movement operated by a crank-handle or lever. When recorded on the respective horses the balls fall into a channel or race, whence they gravitate into a tube fitted with one of the above stop-movements which operates the recording-wheels of the grand total. Alternatively, the recording-wheels connected with the various horses may be operated simultaneously with the recording-wheels of the grand total. Instead of issuing ten tickets on one horse and releasing ten balls to record the number of tickets, one ticket may be issued and one ball released to a separate tube to the recording-wheels of the corresponding horse, to be recorded on the "tens" wheel, the balls then gravitating to a tube to be recorded on the grand total, or the amount may be recorded on the corresponding horse and the grand total simultaneously. (Specification, £1 12s. 6d.)

[NOTE.—The above extract from the specification is inserted in place of the claims.]

No. 29961.—2nd August, 1911.—FRANK WHITTOME, of Newmarket, near Auckland, New Zealand, Manufacturer. An improved bottle-filler.

Claims.—(1.) In an improved bottle-filler of the class described, the arrangement and operation of the valve lifting and closing mechanism, for the purpose set forth, as described and illustrated. (2.) In an improved bottle-filler of the class described, an adjustable stand or support hung from the legs of same by hangers engaging in a set of a series of holes provided therein, in the manner and for the purpose set forth, as described and illustrated. (Specification, 3s. 3d.)

[NOTE.—Here follow three other claims.]

No. 29965.—5th August, 1911.—George Edward King, of Dargaville, Auckland, New Zealand, Timber-merchant. An improved wet back for steam-boilers.

Extract from Specification.—A chamber having its upper part curved to the shape of an arch and fixed to the end of the boiler. (Specification, 2s.)

[NOTE.—The above extract from the specification is inserted in place of the claims.]

No. 29966.—5th August, 1911.—ROBERT GOODFELLOW FARRELLY, of Paeroa, New Zealand, Contractor. An improved holder for the tails of cows.

Claim.—Means for the purpose described, consisting of a spring clip adapted to encircle the cow's tail and attached by a cord or chain to a fixture, substantially as specified. (Specification, 1s. 8d.)

No. 29976.—7th August, 1911.—THOMAS THOMASSEN SABROE, of No. 12 Colbjørnsensgade, Copenhagen, Denmark, Merchant. Improvements in divided milk-pails.

Claim.—Milk-pail with centre-partition characterized thereby that bodies or guiding-surfaces are arranged above in the angles between the partition and the wall of the pail, for the purpose of forming separate outlets for the milk from the upper rim of the pail. (Specification, 2s. 9d.)

No. 29977.—7th August, 1911.—JAMES WILLIAMS, of Emberton Lodge, Newport Pagnell, Olney, Bucks, England, Engineer. Improved air-carburettor apparatus.

Extract from Specification.—According to this invention, air under pressure is stored in the interior of a floating bell reservoir, the continuation of the storage being automatically suspended by the interposition of a mercury seal on the completion of the filling of the floating reservoir. The air-reservoir is in continual communication with a carburettor through an interposed chamber, wherein the passing air can be heated. The carburettor is fed with petrol by a special design of pump adapted to deliver the liquid at a rate which is proportional to the quantity of air delivered, the proportionality being maintained not only in respect to the entire quantity delivered during a periodic movement, but also in respect to any fraction of the period. Further, the petrol is stored in a tank which is immersed in the water, which serves to modify the air-occupied volume of the bell reservoir. (Specification, 12s. 3d.)

[NOTE.—The above extract from the specification is inserted in place of the claims.]

No. 29979.—7th August, 1911.—WILLIAM AUGUST SORG, of Corn Exchange Building, Minneapolis, Minnesota, United States of America, Inventor. Improvements relating to internal-combustion engines.

Claims.—(1.) A process for operating internal-combustion engines which consists in compressing a fuel-mixture charge in an elongated combustion-chamber and igniting said charge at one end to increase the compression of the remaining unspent charge and slowly consume the same, for the purpose of expending a constantly increasing and maximum force against the driven member, which co-operates with said combustion-chamber. (2.) A device for carrying out the process covered by claim (1), consisting of a stationary piston having an elongated passage therein to form a combustion-chamber, a reciprocating cylinder adapted to slide on said piston and closed on its outer end, means for admitting a mixture-charge into said chamber, means for exhausting the spent gases from said combustion-chamber, and means for igniting said charge at one end of said chamber. (Specification, 8s.)

[NOTE.—Here follow four other claims.]

No. 29981.—5th August, 1911.—ANDREW MURRAY, of No. 29, Wellington Street, Geelong West, Victoria, Australia, Engineer. An improved apparatus for dyeing wool and the like.

Claims.—(1.) Improved apparatus for dyeing wool-tops, cotton, and other material in such a manner that approximately boiling dye-liquor is circulated through the material being operated upon, and is equally distributed, so that a uniform standard of dyeing is insured. . . . (3.) Apparatus for the purpose specified, consisting of a vat containing dye-liquor maintained at approximately boiling temperature, a perforated cage in said vat provided with one or more perforated pipes projecting into said cage and around which the material is wound, and a pump having its delivery-pipe connected with said perforated pipes and its suction-pipe leading into the vat. (Specification, 4s. 3d.)

[NOTE.—Here follow five other claims.]

No. 29982.—8th August, 1911.—ERNST AUGUST DEUMER, of Burnley Street, Richmond, Coachbuilder; KARL FERDINAND MÜLLER, of Kingslake, Engineer; and ARTHUR WHYBROW, of 1 to 17 Stafford Street, Abbotsford, near Melbourne, member of the firm of Whybrow and Co., Boot and Shoe Manufacturers, all of Victoria, Australia (assignees of the said

Ernst August Deumer, Karl Ferdinand Muller, and James Charles Grubb, of No. 1, Bower Street, South Northcote, Victoria aforesaid, (Mechanic). Improved fore-carriage for horse-drawn vehicles.

Claim.—(1.) Improved fore-carriage for horse-drawn vehicles comprising a pair of short pivoted arms into which short axles on the wheels are fitted, means for supporting the fore part of the vehicle, and means for guiding said pivoted arms through the medium of the draw mechanism, for the purposes specified. (Specification, 3s. 9d.)

[NOTE.—Here follow three other claims.]

No. 30011.—10th August, 1911.—JOHN STEWART, care of David Stewart, of Gore, New Zealand, Farmer. Improvements in draught-attachments for reapers-and-binders or the like.*

Claims.—(2.) Improvements in draught-attachments for reapers-and-binders and the like, comprising the rear bar (1), the bar (6), the bracket (7) secured to the pole (8), and means for pivotally securing the same together, substantially as and for the purpose set forth. (3.) Improvements in draught-attachments for reapers-and-binders and the like comprising the bent crank-shaped rod (17), substantially as and for the purpose set forth. (Specification, 2s. 9d.)

No. 30021.—11th August, 1911.—FRANTZ JENSEN, of 5 St. Paulsgade, Copenhagen, Denmark, Engineer. Ship or vessel propelled by suction and pressure effects working under its bottom.

Claims.—(1.) In a ship or vessel worked by suction and pressure effects acting under the bottom, the arrangement of forward-pointing suction-pipes protruding through the back half of the ship's bottom, and astern-pointing pressure-pipes protruding through the forward half of the ship's bottom, the suction and pressure pipes being so arranged that the position of the ship in relation to the horizontal plane, and to a certain extent its speed, thereby are regulated. (2.) In a ship or vessel, the combination of suction and pressure pipes according to claim 1 with pipes of a well-known kind for suction and pressure of water and air. (Specification, 9s.)

Copies of drawings may be obtained at the uniform price of 1s. each. In exceptional cases this price may be increased at the discretion of the Office.

An asterisk (*) denotes the complete specification of an invention for which a provisional specification has been already lodged. A dagger (†) denotes a prior date under the International and Intercolonial Arrangements.

NOTE.—The cost of copying the specification has been inserted after the notice of each application. An order for a copy or copies should be accompanied by a post-office order or postal note for the cost of copying.

The date of acceptance of each application is given after the number.

Extracts from the drawings accompanying the foregoing complete specifications appear at the end of this Gazette.

J. C. LEWIS,
Registrar.

Provisional Specifications accepted.

Patent Office,
Wellington, 28th September, 1911.

APPLICATIONS for Letters Patent, with provisional specifications, have been accepted as under:—

- No. 29860.—S. Bartlett, wrapper.
- No. 29866.—I. A. Blissett, hatpin-point guard.
- No. 29872.—W. Eggleton, scotcher.
- No. 29875.—H. G. Daikes, noxious-weed eradicator, &c.
- No. 29876.—W. Hicks and W. S. King, securing rubber pad to boot.
- No. 29933.—W. Sandlant, window-fastener.
- No. 29940.—A. T. Church, plough-attachment.
- No. 29969.—R. Stewart, flax-conveyor.
- No. 29971.—J. Stewart, metal label.
- No. 29975.—D. and W. Murray, chain-lengthening link.
- No. 29997.—A. S. Ford, benzine-gas generator.
- No. 30000.—H. Neville and H. N. Maddox, axe-head fastener.
- No. 30012.—E. J. Garrett, sheep, &c., brand.
- No. 30014.—D. Brown, tap.
- No. 30015.—J. Taylor, boot-heel stiffener.
- No. 30023.—H. Mitchell, building-block.
- No. 30026.—J. R. Jones, meat-ral switch.
- No. 30027.—R. W. Caldwell, J. W. Langdon, and A. Parkin, can-solderer.
- No. 30029.—R. C. Bowick, lifting-bar.

- No. 30054.—J. R. C. and S. H. Maddren, flax-dryer.
- No. 30057.—I. L. McLuckie, pneumatic tire.
- No. 30058.—J. H. G. Banks, cigarette-papers.
- No. 30063.—J. C. Smith, W. Tweedale, and T. Bransgrove, metal-extraction.
- No. 30068.—H. Hoare and J. T. Evans, utilization of oil fuel.
- No. 30096.—D. M. Robertson, starting-barrier.
- No. 30097.—D. M. Robertson, totalizator.
- No. 30099.—S. G. Smith, acetylene-generator.
- No. 30100.—J. H. Suckling, carburettor.
- No. 30102.—P. Robinson and E. Wanklyn, fibre-tail clipper.
- No. 30112.—C. E. Player, cupboard-door catch.
- No. 30117.—G. R. Fellows, gold-obtaining from sand.
- No. 30123.—H. A. Turnbull, G. F. F. Davis, and A. J. B. Turnbull, steam-generator.
- No. 30129.—A. W. Reid, milking-machine releaser.
- No. 30135.—C. W. Ziele, boot-polish-tin holder.

[NOTE.—Provisional specifications cannot be inspected, or their contents made known by this office in any way, until the complete specifications in connection therewith have been accepted.]

Letters Patent sealed.

LIST of Letters Patent sealed from the 15th to the 21st September, 1911, inclusive:—

- No. 27425.—J. Galt and A. Fraser, milk-cooler.
- No. 27756.—A. McLeod, water-heater, &c.
- No. 27758.—J. Christie, acetylene-generator.
- No. 27760.—C. White, gas-engine.
- No. 27787.—A. H. Duxfield, hock-boot.
- No. 27820.—W. M. Martin, ore-treatment.
- No. 27824.—H. Irwin, poultry-nest box.
- No. 27832.—W. W. Wakely, flax-stripper.
- No. 27846.—S. R. Palmer, truck-axle lubricator.
- No. 27888.—G. Gray, roller for agricultural implement.
- No. 27968.—W. W. Gaiger, concave strip.
- No. 28000.—G. Metcalfe, wear-resisting material.
- No. 28218.—J. Trapski, plough.
- No. 28278.—United Shoe Machinery Company, boot-sole-trimming machine. (W. H. Borden.)
- No. 28279.—United Shoe Machinery Company, boot-fastenings inserter. (T. Briggs.)
- No. 28280.—United Shoe Machinery Company, boot-sole-levelling machine. (J. Gouldbourn and E. A. Cridland.)
- No. 28282.—United Shoe Machinery Company, boot-lasting machine. (E. E. Winkley.)
- No. 28339.—E. Deister, ore-concentrator.
- No. 28432.—C. B. Mueller, tennis-raquet.
- No. 28802.—A. H. Wright, advertisement-display apparatus.
- No. 28966.—A. E. Bourcoud, iron, &c., manufacture.
- No. 28988.—International Manufacturing Company, furnace draught. (J. H. Parsons.)
- No. 29042.—C. Christie, crane. (H. R. M. Whittell.)
- No. 29052.—W. E. Brown, milk-separator.
- No. 29081.—A. R. Angus, railway safe-running gear, "A."
- No. 29082.—A. R. Angus, railway safe-running gear, "B."
- No. 29083.—A. R. Angus, railway safe-running gear, "C."
- No. 29111.—M. C. White and O. C. Duryea, briquetting-apparatus.
- No. 29166.—E. Phillips, aerial network for wireless telegraphy. (H. Lange.)
- No. 29211.—T. H. Lindley and H. Schrsier, rotary engine.
- No. 29275.—F. Tanner, marine-engine-racing prevention.
- No. 29373.—P. Murphy, flushing-valve.
- No. 29380.—E. J. Way and A. J. Arbuckle, ore-treatment.
- No. 29418.—J. T. Hunter, artificial rubber. (J. B. Scam-mel.)
- No. 29438.—H. C. Kennedy, wheel.
- No. 29441.—J. Davidson, sheep-shear joint.
- No. 29458.—C. W. Merrill, recovering valuable materials from solutions.
- No. 29459.—C. W. Merrill, semi-solid material treatment.
- No. 29478.—E. E. Clement, telephone-exchange system.
- No. 29479.—B. Miller, lime-burning. (F. H. Dry.)
- No. 29490.—G. D. McDermid, hair-ornament attaching.
- No. 29496.—R. W. Allen, castrating-tool.
- No. 29498.—The Muir-Vincent Smoke Consumer and Fuel Economizer Company, Limited, boiler-furnace. (A. Vincent and C. Muir.)
- No. 29499.—J. Gitsbam, gold and silver recovery.
- No. 29500.—J. W. M. and M. M. Burdon, oil-gas production.
- No. 29523.—A. H. Roberts, tire-rim.
- No. 29529.—E. E. Banes, sulphide-ore treatment.
- No. 29533.—R. W. de Montalk, building-studs, &c., construction.
- No. 29544.—Bevan Lock Nut Company, Limited, nut-lock. (J. A. Wilks.)
- No. 29545.—G. Westinghouse, power-transmission mechanism.

- No. 29564.—W. Manser, spark-arrester.
 No. 29566.—G. Nesbit, trunk-fastening.
 No. 29577.—G. Calvert, burnisher and scarifier.
 No. 29605.—J. Hamilton, compositions of matter. (C. J. Healy.)
 No. 29606.—P. Murphy, water-heater.
 No. 29624.—S. A. Jenyns, corset.
 No. 29628.—C. A. Alford and E. G. Finch, drying fleeces on sheep.
 No. 29650.—T. and P. Wallace, go-cart under-carriage.
 No. 29652.—W. L. and J. K. B. Lister, inserting links in shirt-cuffs.
 No. 29681.—O. Ahrens, meat-preserving.

Letters Patent on which Fees have been paid.

[NOTE.—The dates are those of the payments.]

SECOND-TERM FEES.

- No. 23079.—H. C. Mitchell, printing. 26th September.
 No. 23501.—C. C. Wakefield, gas-burner. 20th September.
 No. 23591.—E. M. Edkins, saw-bench feed. 22nd September.
 No. 23599.—F. Bennett, ore-washing, &c. (A. S. Dwight and R. L. Lloyd.) 28th September.
 No. 23842.—E. N. Waters, chemical process. (Verein Chemischer Fabriken—W. Hasenbach.) 21st September.
 No. 25405.—W. H. Caldwell, photographic films, &c. 26th September.

THIRD-TERM FEES.

- No. 18464.—C. E. Bernays, railway bogies. 15th September.
 No. 18505.—O. Gemeinhardt, skin measuring and wringing machine. 26th September, 1911.
 No. 18515.—B. J. Mouat, grate, &c., draught regulating. 23rd September.
 No. 18517.—H. U. Alcock, billiard-table. (F. A. Alcock and H. U. Alcock.) 21st September.
 No. 20251.—F. E. Dunnett, non-corrosive anti-fouling paint. 15th September.

Subsequent Proprietors of Letters Patent registered.

[NOTE.—The name of the former proprietor is given in brackets; the date is that of registration.]

- No. 17718.—James McKerras, of Auckland, New Zealand, Commercial Traveller, registered as proprietor of the whole of the joint interest of James McKerras and Herbert William Heath. Printing music and stave therefor. (W. E. Naunton and T. C. Palmer.) 19th September, 1911.
 No. 18380.—Marie Antonette Natrass, wife of Luke Nelson Natrass, of Wellington, New Zealand, Carpenter. Churn. (W. W. Pilkington and L. N. Natrass.) 19th September, 1911.
 No. 26647.—J. Stone and Company, Limited, of Deptford, in the County of Kent, England, Engineers. Smoke-box of locomotive-boiler. (J. T. Hunter—R. F. Thompson.) 21st September, 1911.
 No. 27851.—Henry Leslie Friend, of Auckland, New Zealand, Agent. Box cores for building hollow concrete walls. (H. A. Goddard.) 19th September, 1911.
 No. 28221.—The Wolseley Sheep Shearing Machine Company, Limited, of Sydney Works, Alma Street, Aston, near Birmingham, England, Engineers. Centrifugal separator. (The Wolseley Sheep Shearing Machine Company, Limited—E. V. Hudson.) 19th September, 1911.
 Nos. 28284 and 29289.—Agreement by Adam Werner to assign to A. Werner and Co., Limited, all his right and interest in connection with the patents noted on Register—(1) Elevator and band-cutter for threshing-machine; (2) sheave-elevator for threshing-machine. (A. Werner.) 15th September, 1911.

Notice of Request to amend Specification.

Patent Office,

Wellington, 3rd October, 1911.

REQUEST for leave to amend the undermentioned application for Letters Patent has been received, and is open to public inspection at this office. Any person may, at any time from one month from the date of this Gazette, give me notice in writing of opposition to the amendments. Such notice must set forth the particular grounds of objection, and be in duplicate. A fee of 10s. is payable thereon.

No. 29507.—W. L. Johnstone and A. Hosking, apparatus for heating and cooling milk. (Advertised in Supplement to *New Zealand Gazette*, No. 65, of the 10th August, 1911.)

The nature of the proposed amendments is as follows:—

On page 2,—

To insert the words "heating and" before "cooling," line 2.

To insert the words "when flowing to and from a pasteurizer respectively" after "cooled," line 4.

To omit the words "and" and "is," line 4.

On page 3,—

To insert the words "fixed to the outer vessel and" before "provided," line 1.

To omit the words from "Liquid to be heated" down to "nozzle 5," lines 27 to 34, and to insert instead the following: "The cool milk or other liquid to be pasteurized or heated is conveyed to the nozzle 12, and passes through the inner vessel 6, and comes in contact with the walls of the corrugated bottom 10 and flows to the pasteurizer, and becoming raised to a high temperature is conveyed to the nozzle 4, and passes through the vessel 1. By this process the cool milk is considerably raised in temperature by the time it passes out of the outlet-nozzle 19 to the pasteurizer, thus requiring less heat to be expended in the pasteurizer for the process of pasteurization, and the milk after it is pasteurized returns through the nozzle 4. The cool milk will tend to cool the walls of the corrugated bottom 10, also reducing the temperature of the hot milk flowing from the pasteurizer."

On page 5,—

To insert "cold" before "milk," line 2.

To insert "partition" instead of "bottom," line 3.

To insert "hot milk, whey, and the like," instead of "water," line 4.

To insert "on the opposite side of" instead of "below," line 5.

The applicants state—

"Our reasons for making this amendment are as follows: We desire more accurately to describe our invention and the manner in which it is to be performed, and to correct certain clerical errors."

J. C. LEWIS,

Registrar.

Request for Amendment of Specification allowed.

THE request to amend specification and drawing No. 29236—G. Scarfe, neck-tie frame (advertised in Supplement to *New Zealand Gazette*, No. 50, of 15th June, 1911)—has been allowed.

Request for Correction of Clerical Error in Application for Letters Patent allowed.

THE request for correction of clerical error in application No. 29595—E. S. Baldwin and H. H. Ravward, dress-form (advertised in Supplement to *New Zealand Gazette*, No. 69, of the 24th August, 1911)—has been allowed.

Applications for Letters Patent abandoned.

LIST of applications, with which provisional specifications only have been filed, abandoned (i.e., complete specifications not lodged) from the 15th to the 28th September, 1911, inclusive:—

- No. 28733.—C. W. Wild, smoking-pipe cleaner.
 No. 28739.—D. de B. Hovell, introducing air to furnace-fire.
 No. 28740.—R. Yarrow, rubber-substitute.
 No. 28741.—E. C. Piercy, hat-fastener.
 No. 28742.—S. White, pig-holder.
 No. 28744.—J. Paterson, milking-machine cup.
 No. 28748.—J. Bruce and W. A. Tuck, horse-cover.
 No. 28750.—A. F. Howden, tobacco-cutter.
 No. 28753.—A. L. J. Tait, screw propeller.
 No. 28757.—J. N. D. Burgess, wash-boiler discharge.
 No. 28761.—P. J. Tobin, plumbers' solder.
 No. 28764.—S. W. Kelly, carpet-roll clip.
 No. 28766.—C. B. S. Wunderlich, butter-box. (H. C. Crew.)
 No. 28771.—C. H. Shattky, railway-rail joining.
 No. 28772.—T. H. Fewings and F. H. Walton, basket-bottom.
 No. 28776.—E. E. How, saw-bench.
 No. 28777.—S. R. Trevor, oil-production from kauri soil.
 No. 28778.—H. N. Bagnall, dish-washer.
 No. 28783.—G. Thurston, reciprocating engine.
 No. 28787.—R. and J. H. Love, reins attachment.
 No. 28789.—P. Kahlenberg, golf-club, &c., grip.
 No. 28791.—W. C. Noakes, coal-unloading.

Applications for Letters Patent void.

A PPLICATIONS for Letters Patent, with which complete specifications have been lodged, void owing to non-acceptance of such complete specifications, from the 15th to the 28th September, 1911, inclusive:—

- No. 27926.—G. E. Collins, folding step-ladder.
No. 27961.—C. G. McKellar, preserving-jar.

Applications for Letters Patent lapsed.

A PPLICATIONS for Letters Patent lapsed, owing to Letters Patent not being sealed, from the 15th to the 28th September, 1911, inclusive:—

- No. 27439.—J. Bulte and G. O. Cottam, railway-tunnel ventilator.
No. 27442.—C. W. Seale, pipe-union joint.
No. 27443.—J. Watterson, F. Phillips, and T. Turner, cleat.
No. 27446.—F. Smoothy, fencing-staple.
No. 27470.—W. H. Trengrove, tire-repairing device.
No. 27476.—A. C. and G. Dickinson, soiled-linen receptacle.

Letters Patent void.

L IST of Letters Patent void through non-payment of renewal fees, and through expiry of term of fourteen years, from the 15th to the 28th September, 1911, inclusive:—

THROUGH NON-PAYMENT OF SECOND-TERM FEES.

- No. 23000.—B. G. A. Harkness, potato-planter.
No. 23009.—A. J. Fippard, hydraulic clutch.
No. 23010.—T. Winstanley, lime sand-brick manufacture.
No. 23023.—J. F. and W. P. Liernur, sewerage system.
No. 23024.—N. S. McNab and J. S. Link, time-recording register.
No. 23026.—Machine Gas, Limited, gas-production. (F. J. Cox.)
No. 23031.—A. J. Hobbs and J. R. Jewell, horse-stop for vehicles.
No. 23032.—W. O. Webber, hydraulic air-compressor.
No. 23043.—W. Watson and W. Craig, flax-dressing.
No. 23044.—L. N. Dhyrberg, earthenware-pipe manufacture.
No. 23046.—J. Atkinson, spinal and body support.
No. 23047.—W. Carver, broom.
No. 23053.—W. White, boot or shoe heel.
No. 23061.—H. B. France, metal covering for buildings.
No. 23063.—D. Wellwood, preventing deterioration of liquors.

THROUGH NON-PAYMENT OF THIRD-TERM FEES.

- No. 18065.—W. Youtten, fibre-cleaner.
No. 18069.—W. H. Clement, plough for forming water-races.
No. 18093.—T. W. Soper, seed-ower and ridger.

THROUGH EXPIRY OF TERM.

- No. 9925.—Wireless Telegraph and Signal Company, Limited, transmitting electrical impulses. (G. Marconi.)

Design registered.

A DESIGN has been registered in the following name on the date mentioned:—

- No. 564.—J. C. Hutton Proprietary, Limited, whose registered office is at 91 William Street, Melbourne, Victoria, Australia. Ham and bacon curers. Class 1. 12th September, 1911.

Applications for Trade Marks filed.

L IST of applications for registration of Trade Marks filed from the 15th to the 28th September, 1911, inclusive:—

- No. 9919.—15th September.—Kaiapoi Woollen Manufacturing Company, Limited, Christchurch, N.Z. Class 38.
No. 9920.—16th September.—A. J. Eaton, Hastings, N.Z. Class 50.
No. 9921.—18th September.—J. Fimister, Auckland, N.Z. Class
No. 9922.—18th September.—W. Semple, Wellington, N.Z. Class 2.
No. 9923 and 9924.—19th September.—E. Bostock and Co., Limited, Stafford, Eng. Class 38.
No. 9925.—19th September.—W. Barnett, Christchurch, N.Z. Class 3.
No. 9926.—19th September.—Pacific Mills, Boston, U.S.A. Class 24.

No. 9927.—20th September.—D. Teed, Auckland, N.Z. Class 42.

Nos. 9928 and 9929.—21st September.—F. Bostock, Northampton, Eng. Class 38.

No. 9930.—21st September.—J. Heathcoat and Co., London and Tiverton, Eng. Class 31.

No. 9931.—22nd September.—A. M. Geddes, "Brown, Barrett, and Co.," Auckland, N.Z. Class 42.

No. 9932.—23rd September.—Royal Oak Timber Company, Limited, Auckland, N.Z. Class 50.

No. 9933.—26th September.—M. H. McNish, Dunedin, N.Z. Class 3.

No. 9934.—27th September.—J. Scheja, Stockholm, Sweden. Class 17.

Nos. 9935 and 9936.—27th September.—British Patent Perforated Paper Company, London, Eng. Class 48.

No. 9937.—27th September.—Nutricia Milk Company, Limited (of Wellington), Wellington, N.Z. Class 42.

Nos. 9938, 9939, and 9940.—27th September.—J. Neil, Limited, Dunedin, N.Z. Classes 44, 42, 43.

No. 9941.—28th September.—Standard Oil Company, of New York, New York, U.S.A. Class 47.

Applications for Registration of Trade Marks.

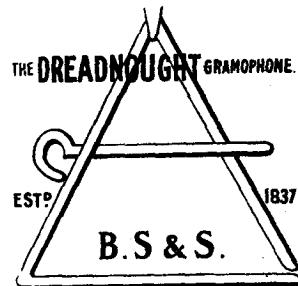
Patent Office,
Wellington, 4th October, 1911.

A PPLICATIONS for registration of the following Trade Marks have been received. Notice of opposition to the registration of any of these applications may be lodged at this office within two months of the date of this *Gazette*. Such notice must be in duplicate, and accompanied by a fee of £1.

No. of application: 9159.

Date: 15th November, 1910.

TRADE MARK.



The essential particulars of this trade mark are the device and the word "Dreadnought"; and any right to the exclusive use of the added matter is disclaimed.

NAME.

BARNETT, SAMUEL, AND SONS, LIMITED, of Worship Street, London E.C., England.

No. of class: 8.

Description of goods: Gramophones.

No. of application: 9625.

Date: 10th May, 1911.

TRADE MARK.



The essential particular of this trade mark is the device and any right to the exclusive use of the added matter is disclaimed.

NAME.

JOSEPH DAWSON WORMALD, HARRY PERCY WORMALD, and WILLIAM ERNEST LIVINGSTONE WEARS, trading together as "The Australian Embosteel Ceiling Company," Manufacturers, of Castlereagh Chambers, Castlereagh Street, Sydney, New South Wales, in the Commonwealth of Australia.

No. of class: 13.
Description of goods: Metal ceilings.

No. of application: 9660.
Date: 25th May, 1911.

TRADE MARK.



NAME.

PACIFIC MILLS, a corporation organized under the laws of the State of Massachusetts, of 70 Kilby Street, Boston, Massachusetts, United States of America.

No. of class: 34.
Description of goods: Woollen piece-goods.

No. of application: 9674.
Date: 1st June, 1911.

TRADE MARK.

The words

LORD BEACONSFIELD.

The essential particulars of the trade mark are the following—the words "Lord Beaconsfield."

The applicant claims that the said trade mark has been used by him for over twenty-five years.

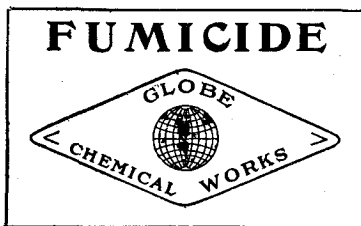
NAME.

JOHN MCGILL, of Petersburg, Virginia, United States of America, trading as "Watson and McGill," in city aforesaid, Tobacco-manufacturer.

No. of class: 45.
Description of goods: Tobacco, whether manufactured or unmanufactured.

No. of application: 9682.
Date: 6th June, 1911.

TRADE MARK.



B

NAME.

GLOBE CHEMICAL WORKS, a corporation of the City and County of San Francisco, State of California, United States of America, Manufacturers.

No. of class: 2.
Description of goods: Chemical substances used for sanitary purposes.

No. of application: 9701.
Date: 7th June, 1911.

TRADE MARK.



The essential particular of this trade mark is the distinctive label.

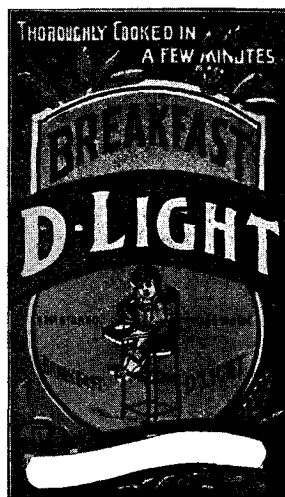
NAME.

ELLIS AND MANTON, of Wellington, in the Dominion of New Zealand.

No. of class: 47.
Description of goods: Candles.

No. of application: 9753.
Date: 4th July, 1911.

TRADE MARK.



The essential particular of this trade mark is as follows—the distinctive label; and any right to the exclusive use of the added matter is disclaimed.

NAME.

WILLIAM DOUGLASS, trading as "W. C. Douglass," of 53-55 Liverpool Street, Sydney, in the State of New South Wales, Commonwealth of Australia, Merchant.

No. of class: 42.
Description of goods: Prepared meal.

No. of application : 9819.
Date : 9th August, 1911.

TRADE MARK.

N. Soyer.

NONE GENUINE WITHOUT

The essential particular of this trade mark is the name or the fac-simile of the signature "N. Soyer" printed in a particular or distinctive manner; and any right to the exclusive use of the added matter is disclaimed.

NAME.

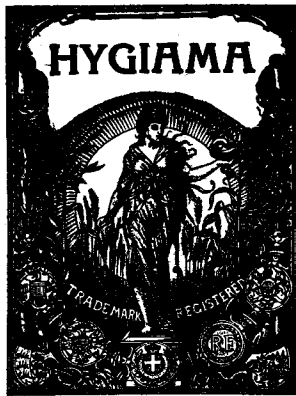
JAMES SPICER AND SONS, LIMITED, a company incorporated under the company laws of Great Britain, of 50 Upper Thames Street, London, England, Wholesale Stationers.

No. of class : 39.

Description of goods: Paper (except paper hangings), paper bags, envelopes, and like goods.

No. of application : 9839.
Date : 16th August, 1911.

TRADE MARK.



The essential particulars of this trade mark are the following—the word "Hygiama" and the representation of the goddess Hygieia, surrounded by corn and cocoa-trees; and any right to the exclusive use of the added matter is disclaimed.

NAME.

DR. THEINHARDT'S NÄHRMITTEL-GESELLSCHAFT m.b.H., of Stuttgart-Cannstatt, Germany (Wurtemberg), Manufacturers of Concentrated Dietetic Foods.

No. of class : 42.

Description of goods : A concentrated dietetic food.

No. of application : 9840.
Date : 16th August, 1911.

TRADE MARK.



The essential particulars of this trade mark are the following—the word "Infantina" and the combination of devices; and any right to the exclusive use of the added matter, save the name "Theinhardt's," is disclaimed.

NAME.

DR. THEINHARDT'S NÄHRMITTEL-GESELLSCHAFT m.b.H., of Stuttgart-Cannstatt, Germany (Wurtemberg), Manufacturers of Concentrated Dietetic Foods.

No. of class : 42.

Description of goods : An infants' food.

No. of application : 9857.

Date : 23rd August, 1911.

TRADE MARK.

The word

PAROWAX.

The essential particular of this trade mark is the word "Parowax."

NAME.

VACUUM OIL COMPANY PROPRIETARY, LIMITED, of 90 William Street, in the City of Melbourne, Commonwealth of Australia, and elsewhere, Oil and Grease Merchants.

No. of class : 4.

Description of goods : Paraffin wax for sealing and bottling preserves, pickles, &c.

No. of application : 9863.

Date : 25th August, 1911.

TRADE MARK.

The word

SYMOC.

NAME.

ALFRED JAMES PARKER, of 1 Bulwer Street, Herne Bay, Auckland, in the Dominion of New Zealand, Manufacturing Chemist.

No. of class : 50.

Description of goods : All goods in that class.

[NOTE.—Class 50 is for "Miscellaneous, including—(1) goods manufactured from ivory, bone, or wood, not included in other classes; (2) goods manufactured from straw or grass, not included in other classes; (3) goods manufactured from animal and vegetable substances, not included in other classes; (4) tobacco-pipes; (5) umbrellas, walking-sticks, brushes, and combs; (6) furniture-cream, plate-powder; (7) tarpaulins, tents, rick-cloths, rope, twine; (8) buttons of all kinds, other than of precious metal or imitations thereof; (9) packing and hose of all kinds; (10) goods not included in the foregoing classes, such as coopers' wares."]

No. of application : 9874.

Date : 28th August, 1911.

TRADE MARK.



KANGAROO.

NAME.

JAMES PATERSON, of Paterson's Varnish Company, Union Street, Auckland, in the Dominion of New Zealand.

No. of class : 3.

Description of goods : Embrocations, emulsions, essential oils and extracts, and medical preparations.

No. of application : 9886.
Date : 31st August, 1911.

TRADE MARK.

The word

ZYMOLE.

NAME.

THE ZYMOLE COMPANY (INC.), of New York, in the United States of America, Distributors.

No. of class : 3.
Description of goods : Chemical substances prepared for use in medicine and pharmacy.

No. of application : 9888.
Date : 31st August, 1911.

TRADE MARK

THREE GEES

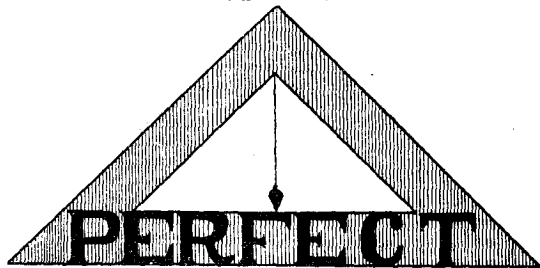
NAME.

W. AND A. GILBEY, LIMITED, whose registered office is at The Pantheon, Oxford Street, in the County of Middlesex, England.

No. of class : 43.
Description of goods : Whisky.

No. of application : 9891.
Date : 1st September, 1911.

TRADE MARK.



The essential particular of this trade mark is the device as shown; and any right to the exclusive use of the word "Perfect" is disclaimed.

NAME.

C. DAHL AND COMPANY, LIMITED, of Palmerston North, in the Dominion of New Zealand, Butter and Produce Merchants.

No. of class : 7.
Description of goods : Dairy machinery and utensils included in this class.

No. of application : 9900.
Date : 9th September, 1911.

TRADE MARK.

The words

SILVER KING.

No claim is made to any right to the exclusive use of the word "Silver."

NAME.

JOHN BURNS ELECTROPLATE COMPANY, LIMITED, of Blair and Victoria Streets, Wellington, in the Dominion of New Zealand, Electroplaters, Manufacturers, and Importers.

No. of class : 50.
Description of goods : Plate-cleaning liquid.

No. of application : 9915.
Date : 14th September, 1911.

TRADE MARK.

DERMO

NAME.

TILLIE AND HENDERSON, LIMITED, of 39 Miller Street, in the City and County of Glasgow, Scotland, of 19 Silver Street, London E.C., and of Foyle Factory, Londonderry, Ireland, Manufacturers.

No. of class : 33.
Description of goods : Collars, cuffs, fronts, shirts, and other underwear included in this class.

No. of application : 9916.
Date : 14th September, 1911.

TRADE MARK.

IRACIER

NAME.

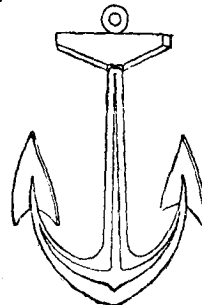
ERNEST JOHN WOOD, of Wednesfield Foundry, Well Lane Wednesfield, near Wolverhampton, England, Manufacturer.

No. of class : 6.
Description of goods : All goods included in this class particularly axle-boxes and fittings therefor.

No. of application : 9917.
Date : 14th September, 1911.

TRADE MARK.

ANCHOR



The essential particulars of the trade mark are — the representation of an anchor, together with the word "Anchor."

NAME.

LOVELL MANUFACTURING COMPANY, of No. 1301 French Street, in the City of Erie, County of Erie, State of Pennsylvania, United States of America.

No. of class : 6.
Description of goods : Wringers, mangles, and domestic laundry machinery.

No. of application : 9918.
Date : 14th September, 1911.

TRADE MARK.

The words

CROWN JEWEL.

The essential particulars of this trade mark are the words "Crown Jewel."

NAME.

FRANK GOUGH, of Sewell Street, Hokitika, in the Provincial District of Westland, in the Dominion of New Zealand, Miner.

No. of class : 3.
Description of goods : A medicine.

No. of application : 9919.
Date : 15th September, 1911.

TRADE MARK.



The essential particulars of this trade mark are a kea sitting on the bough of a tree and the word "Kea"; and any right to the exclusive use of the word "Brand" is disclaimed.

NAME.

THE KAIAPOI WOOLLEN MANUFACTURING COMPANY, LIMITED, of Christchurch, in the Dominion of New Zealand.

No. of class: 38.

Description of goods: Ladies', men's, and children's hosiery and knitted underwear.

No. of application: 9920.

Date: 16th September, 1911.

TRADE MARK.

The word

CAPITOL.

The essential particular of this trade mark is the word "Capitol."

NAME.

ARTHUR JOSEPH EATON, of Hastings, in the Provincial District of Hawke's Bay, in the Dominion of New Zealand.

No. of class: 50.

Description of goods: Polish for linoleums, furniture, boots, shoes, harness, and leather goods.

No. of application: 9923.

Date: 19th September, 1911.

TRADE MARK.



The essential particulars of this trade mark are the following—the combination of the device and the word "Cosmos"; and applicants disclaim any right to the exclusive use of the added matter, except in so far as it consists of their own name.

NAME.

EDWIN BOSTOCK AND Co., LIMITED, a company incorporated in England under the Companies Acts, 1862 to 1893, of Sandon Road, Stafford, in the County of Stafford, England, Boot and Shoe Manufacturers.

No. of class: 38.

Description of goods: Boots, shoes, and slippers.

No. of application: 9924.

Date: 19th September, 1911.

TRADE MARK.



The essential particulars of this trade mark are the following—the combination of the device, and the word "Lotus"; and any right to the exclusive use of the added matter is disclaimed.

NAME.

EDWIN BOSTOCK AND Co., LIMITED, a company incorporated in England under the Companies Acts, 1862 to 1893, of Sandon Road, Stafford, in the County of Stafford, England, Boot and Shoe Manufacturers.

No. of class: 38.

Description of goods: Boots, shoes, and slippers.

No. of application: 9925.

Date: 19th September, 1911.

TRADE MARK.

The word

RITO.

The essential particular of this trade mark is the word "Rito."

NAME.

WILLIAM BARNETT, of Cathedral Square, Christchurch, in the Provincial District of Canterbury, in the Dominion of New Zealand, Chemist.

No. of class: 3.

Description of goods: Medicated articles included in this class.

No. of application: 9929.

Date: 21st September, 1911.

TRADE MARK.



NAME.

FREDERICK BOSTOCK, of Northampton, England, Boot and Shoe Manufacturer.

No. of class: 38.

Description of goods: Boots and shoes.

J. C. LEWIS,
Registrar.

Trade Marks registered.

LIST of Trade Marks registered from the 15th to the 28th September, 1911, inclusive:—

Nos. 7715/9754 and 7716/9755.—Lister and Co., Limited. Class 30. (*Gazette* No. 58, of the 13th July.)

No. 7717/9716.—J. Baillie. Class 3. (*Gazette* No. 58, of the 13th July.)

Nos. 7718/9728 and 7719/9729.—New York and London Drug Company. Classes 3 and 48. (*Gazette* No. 58, of the 13th July.)

No. 7720/9742.—E. B. Davies. Class 48. (*Gazette* No. 58, of the 13th July.)

No. 7721/9748.—The Canterbury (N.Z.) Seed Company, Limited. Class 42. (*Gazette* No. 58, of the 13th July.)

No. 7722/9752.—W. Symbington and Co., Limited. Class 42. (*Gazette* No. 58, of the 13th July.)

No. 7723/9610.—A. Brennecke. Class 15. (*Gazette* No. 42, of the 18th May.)

No. 7724/9609.—The Auckland Fibrous Plaster Company, Limited. Class 17. (*Gazette* No. 58, of the 13th July.)

No. 7725/9712.—The United Distilleries, Limited. Class 43. (*Gazette* No. 58, of the 13th July.)

Trade Mark Renewal Fees paid.

FEES paid for the renewal of the undermentioned Trade Marks for fourteen years from the date first mentioned:—

No. 2150/1718.—28th September, 1911.—J. Bycroft and Co., Limited, Auckland, N.Z. 28th September, 1911.

No. 2225/1937.—13th December, 1911.—Thompson and Hills, Auckland, N.Z. 21st September, 1911.

No. 2226/1805.—14th December, 1911.—A. M. Lewis, Wellington, N.Z. 27th September, 1911.

Trade Marks removed from the Register.

TRADE Marks removed from the Register owing to the non-payment of the renewal fee, from the 15th to the 28th September, 1911, inclusive:—

No. 2036/1649.—24th June, 1897.—E. P. Baker, Dunedin, N.Z. Class 2.

No. 2037/1673.—24th June, 1897.—W. M. Stevenson, Sydney, N.S.W. Class 3.

No. 2040/1631.—28th June, 1897.—T. W. Young, Wellington, N.Z. Class 45.

ILLUSTRATIONS OF INVENTIONS.

[These illustrations refer to the complete specifications accepted, and advertised in this *Gazette*.]

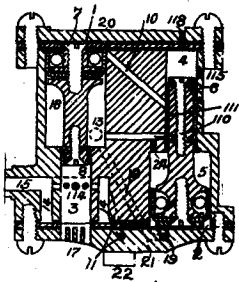


FIG. 2.

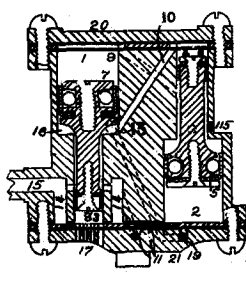


FIG. 1.

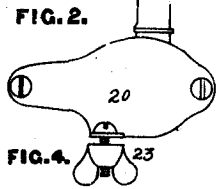
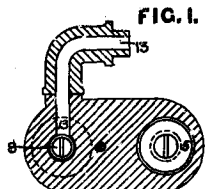


FIG. 4.



Milking machine
Kidd. 28449.

Milking apparatus.
Kidd. 28448.

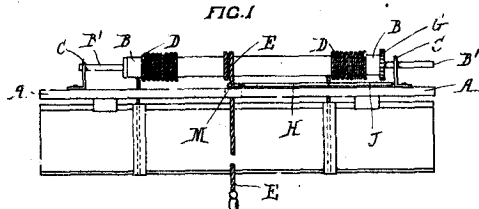


FIG. 1.

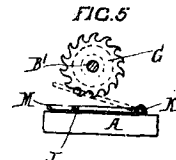


FIG. 5.

Venetian blind. Burgess. 28692.

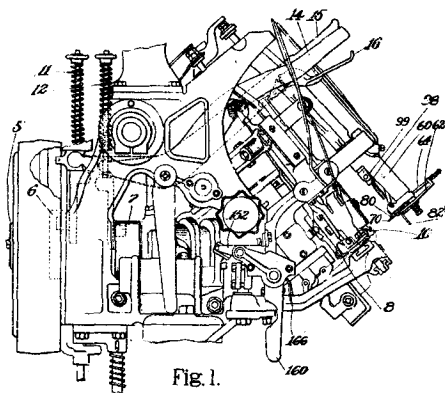


Fig. 1.

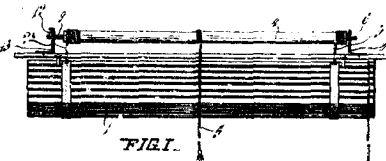


FIG. 1.

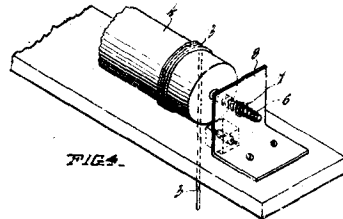


FIG. 4.

Venetian blind. Thompson. 28826.

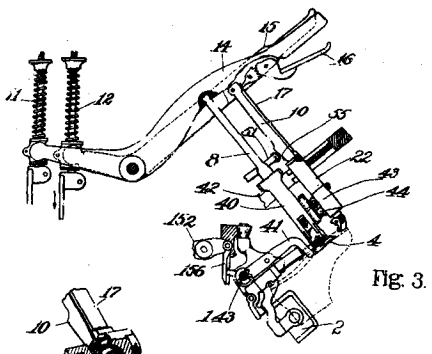


Fig. 3.

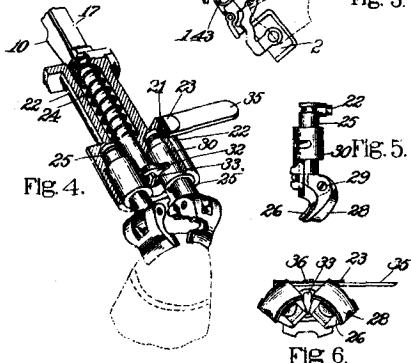


Fig. 4.

Fig. 5.

Fig. 6.

Pulling over machine. United Shoe Machinery Co^y (Ashton) 28709.

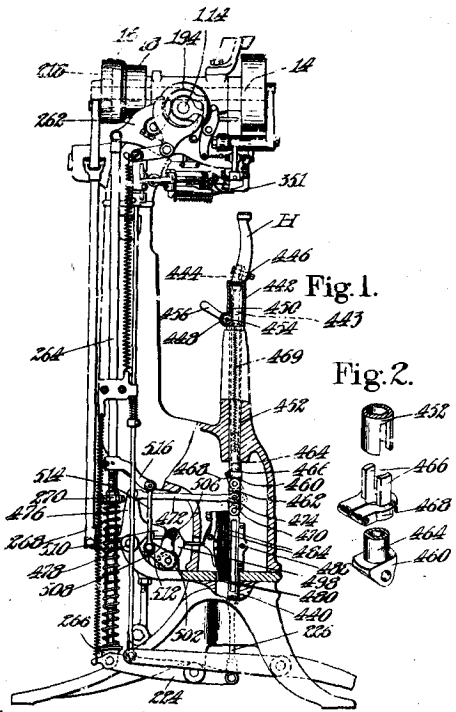
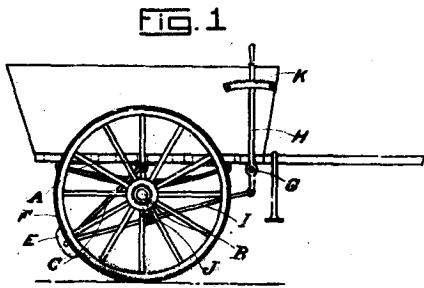


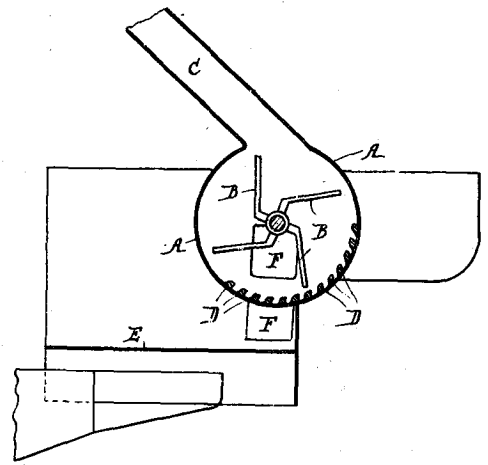
Fig. 1.

Fig. 2.

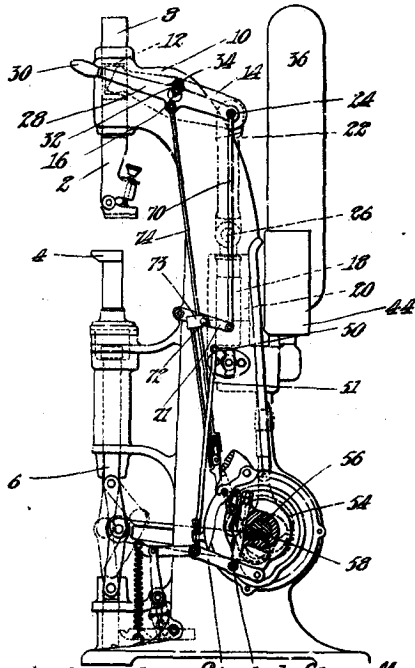
Work support. United Shoe Machinery Co^y (Casgrain) 28711.



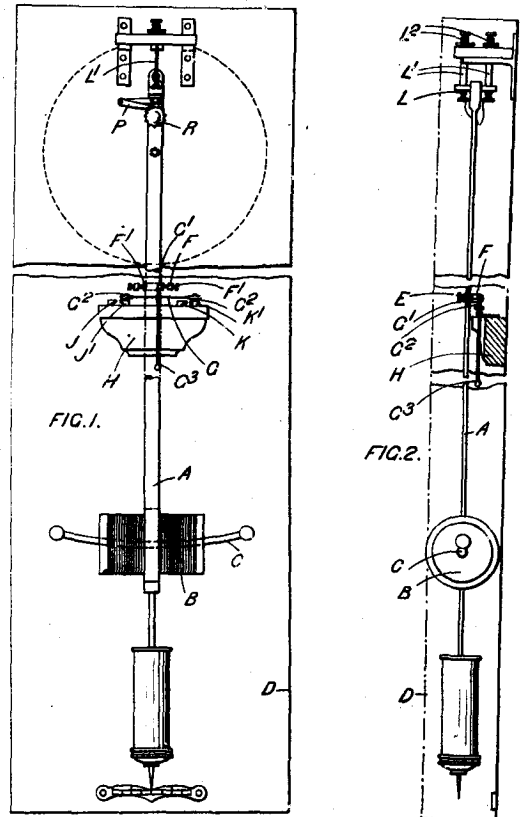
Vehicle brake. Jones. 28702.



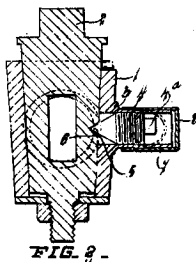
Threshing machine suction fan. Greenslade. 28722.



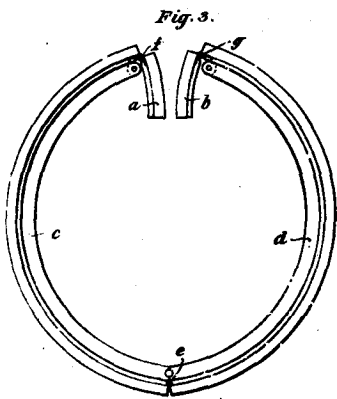
Boot-heeling machine. United Shoe Machinery Co. (Jerram, Gouldbourn, & Bates) 28708.



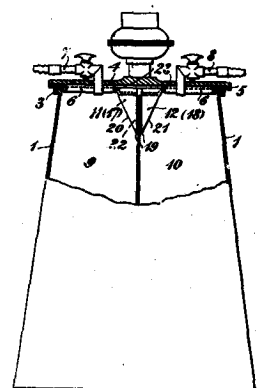
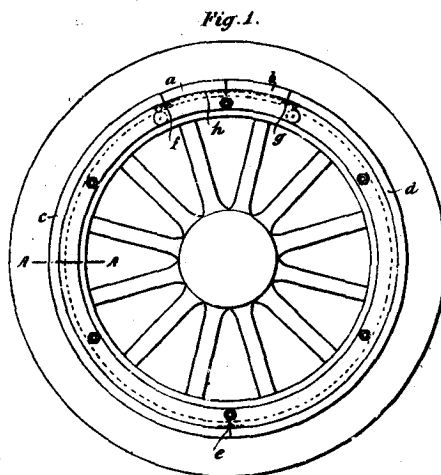
Clock, electric. Bentley. 29916.



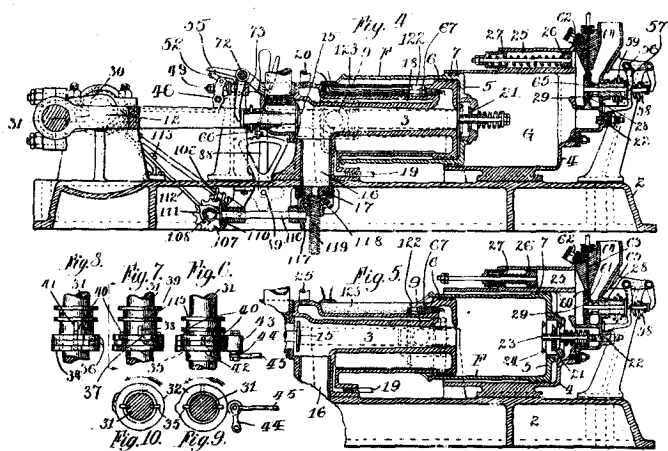
Stop-cock. Hopkins. 29873.



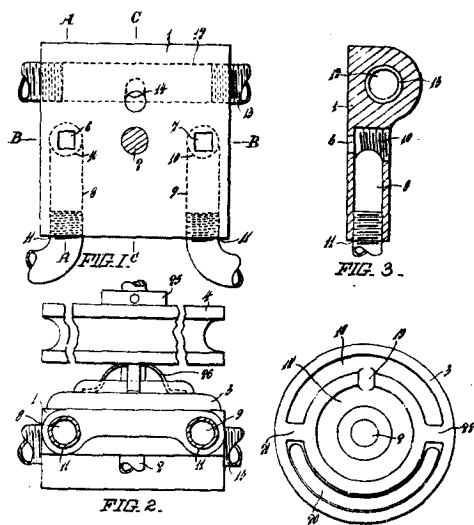
Wheel. Forse, Mayo, Spiller. 29682.



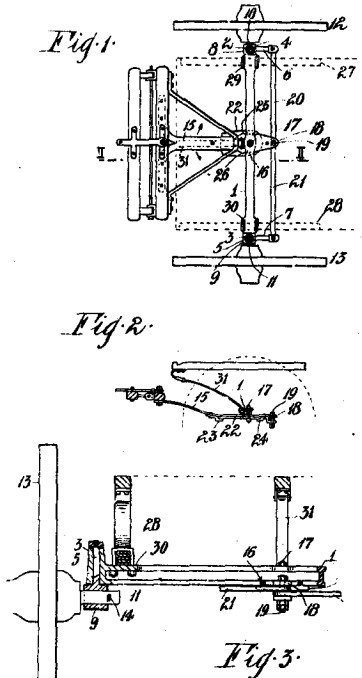
Milk-pail. Sabroe. 29976.



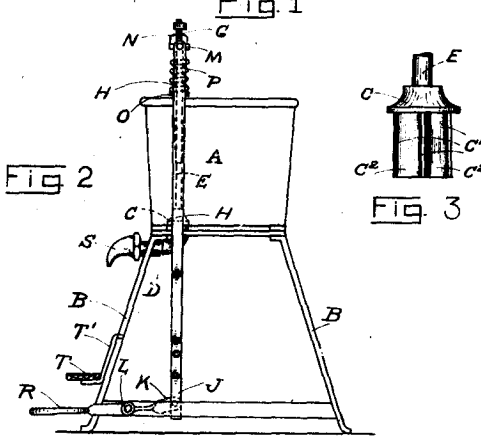
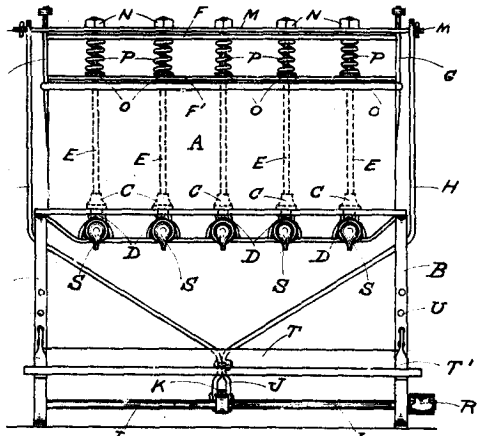
Internal combustion engine. Sorg. 29979.



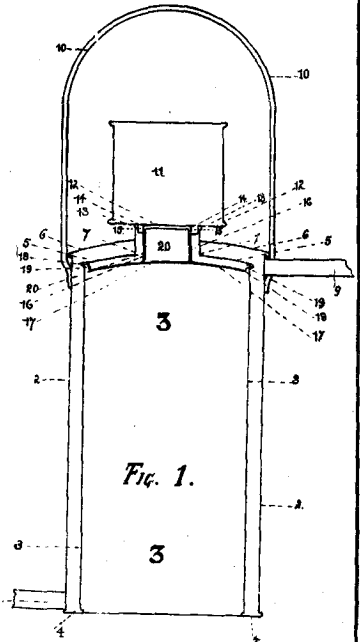
Milking machine pulsator. Woodford & McLay. 29658.



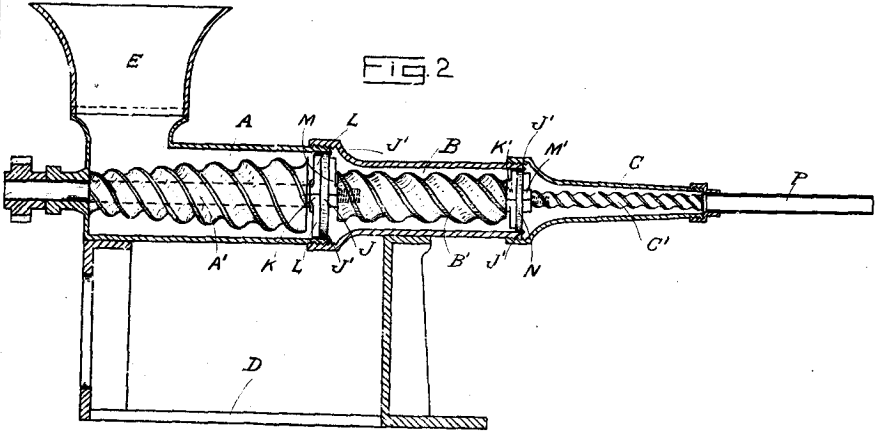
Vehicle fore-carriage. Deumer & Muller & Whybrow (Grubb) 29982.



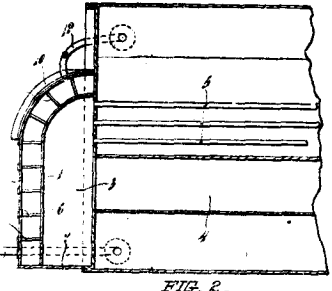
Bottle-filler. Whitome. 29961.



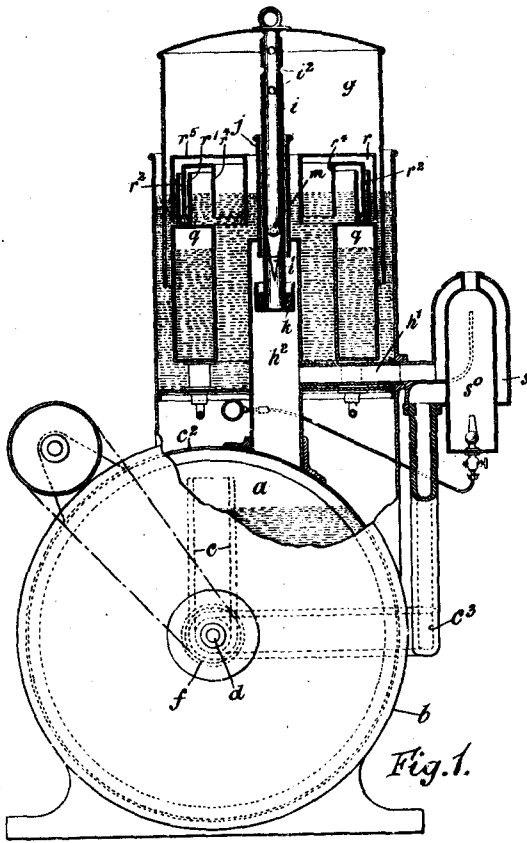
Cream etc aerator. McDonald. 28472.



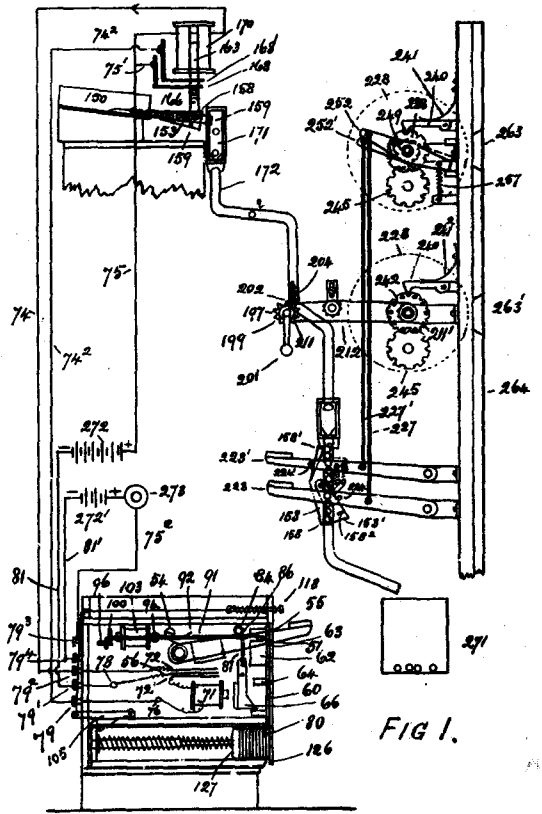
Mincing machine. Wight. 28745.



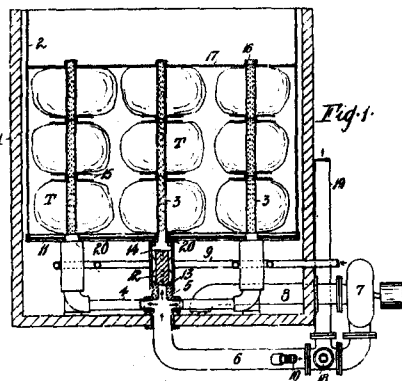
Boiler wet back King. 29965.



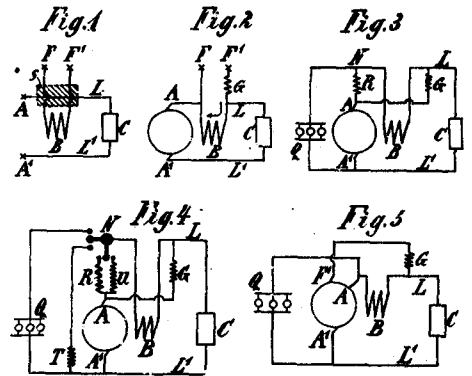
Carburettor. Williams. 29977.



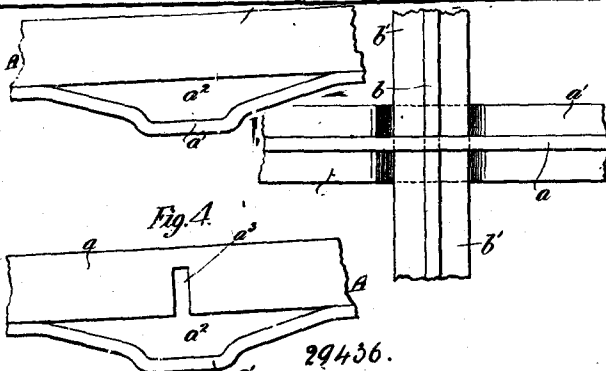
Totalisator. Ward & Gant. 29956.



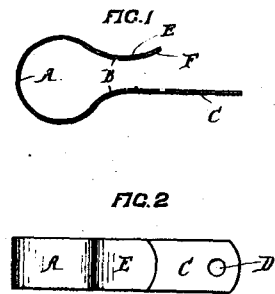
Dyeing apparatus. Murray. 29981.



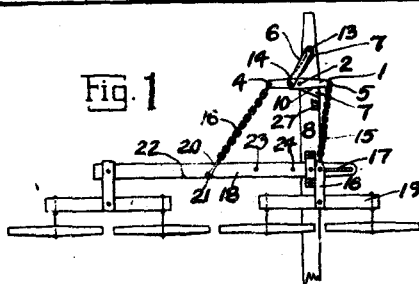
Electric tension regulator. Grob. 29949.



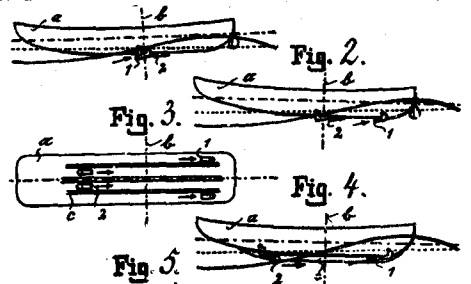
Metal sash bar joint. Woolnough. (Brittal). 29456.



Cow's tail holder. Farrelly. 29966.



Vehicle draught attachment. Stewart. 30011.



Ship propulsion. Jensen. 30021.

Alphabetical List of Applicants for Letters Patent for Quarter ended 30th June, 1911.

THIS list includes also (1) applications lodged prior to but gazetted during the quarter, (2) complete specifications following provisional specifications accepted and gazetted during the quarter. The first number and date are those of the application, the second (in parentheses) those of the *Gazette*. Where only one number and date are inserted, the application has not yet been accepted.

* Denotes a provisional specification. † Denotes a prior date under the International and Intercolonial Arrangements.

Ackley, G. S., Buffalo, United States America; brake-chain winding-mechanism; 29798, 27th June; (69, 24th August).
 Adelberg, A., and others, London, England; metal-cleaning; 29680, 6th June; (58, 13th July).
 Ahrens, O., Hamburg, Germany; meat-preserving; 28179, 30th July, 1910; (33, 20th April).
 Ahrens, O., Hamburg, Germany; meat-preserving; 29681, 6th June; (53, 29th June).
 Alder, G. F. (see Collett and Son, Limited, No. 29634).
 Alfrod, C. A., and another, Melbourne, Victoria; drying fleeces on sheep; 29628, 30th May; (53, 29th June).
 Allan, A. A., Wellington, New Zealand; flush-disinfectant; 29390, 11th April; (42, 18th May).
 Allen, J., Christchurch, New Zealand; wool-dryer feeder; 29371, 5th April; (42, 18th May).
 Allen, R. W., Murrumbidgee, Victoria; castrating-tool; 29496, 4th May; (53, 29th June).
 Alpe, F. G., and others, Auckland, New Zealand; statement form, &c.; 29282, 18th March; (50, 15th June).
 Alpe, R. E., and others, Auckland, New Zealand; statement form, &c.; 29282, 18th March; (50, 15th June).
 Andrew, N., Wanganui, New Zealand; coal-washer, &c.; (Campbell Gas-engine Company, Limited); 29540, 12th May.
 Andrews, F., Mercer, New Zealand; hat-fastener; 28619, 21st October, 1910; (42, 18th May).
 Andrews, F., Mercer, New Zealand; telegraph-wire ends connecting; 29169, 23rd February; (42, 18th May).
 Angus, A. R., Mosman, New South Wales; railway safe-running device "A"; 29081, 7th February, 1910†; (50, 15th June).
 Angus, A. R., Mosman, New South Wales; railway safe-running device "B"; 29082, 7th February, 1910†; (50, 15th June).
 Angus, A. R., Mosman, New South Wales; railway safe-running device "C"; 29083, 7th February, 1910†; (50, 15th June).
 Angus, A. R., Mosman, New South Wales; railway-car running-gear "A"; 29656, 3rd June, 1910†; (62, 27th July).
 Annand, J., Dunedin, New Zealand; concrete building; 29425, 21st April; (42, 18th May).
 Arbuckle, A. J., and another, Belgravia, Transvaal; ore-treating apparatus; 29380, 7th April; (50, 15th June).
 Arco (see Von Arco).
 Arlow, M., Christchurch, New Zealand; clothes-washing apparatus; 29295, 20th March; (42, 18th May).
 Arlow, M., Christchurch, New Zealand; clothes-washing apparatus; 29618, 25th May; (72, 7th September).
 Armstrong, D. H., Hawera, New Zealand; milking-machine receiver and deliverer; 29427, 25th April; (46, 1st June).
 Armstrong, D. H., and another, Hawera, New Zealand; vacuum valve; 29397, 13th April; (46, 1st June).
 Armstrong, E. J., and another, Hawera, New Zealand; vacuum valve; 29397, 13th April; (46, 1st June).
 Armstrong, E. J., Hawera, New Zealand; vacuum valve; 29733, 17th June; (62, 27th July).
 Armstrong, J., and another, Auckland, New Zealand; venetian-blind raising; 29766, 20th June; (62, 27th July).
 Arnott, E., Templeton, New Zealand; ceiling-cramp; 29367, 3rd April; (42, 18th May).
 Ashton, O., Swampscott, United States America (see United Shoe Machinery Company, No. 29388).
 Ashton, S. A., Auckland, New Zealand; drill; 29465, 29th April; (50, 15th June).
 Ashworth, F., Beverly, United States America (see United Shoe Machinery Company, No. 29748).
 Austin, E. C., Wellington, New Zealand; tire-inflator; 28815, 1st December, 1910; (42, 18th May).
 Auto Road Chart, Limited, Sydney, New South Wales; route chart and location-indicator (H. J. C. Taylor); 29451, 27th April; (46, 1st June).
 Badcock, E. B., London, England; pump, internal-combustion; 29716, 16th June, 1910†; (58, 13th July).
 Badische Anilin and Soda Fabrik, Ludwigshafen-on-Rhine, Germany (see E. N. Waters, Nos. 29147 and 29148).
 Bagnall, H. N., Auckland, New Zealand; knife-powder, &c.; 29403, 12th April.

APPLICANTS FOR LETTERS PATENT—continued.

Baker, C. E., Chicago, United States America; ore-treatment; 29562, 19th May, 1910†; (53, 29th June).
 Baldwin, E. S., Wellington, New Zealand; disc cultivator; (H. W. Guest—W. G. Gaston); 29450, 27th April; (62, 27th July); (62, 27th July).
 Baldwin, E. S., and another, Wellington, New Zealand; dress-forms; (Kearns Manufacturing Company—J. Rea); 29595, 23rd May; (53, 29th June).
 Banes, E. E., Sydney, New South Wales; ore-treatment; 29528, 30th June, 1910.†
 Banes, E. E., Sydney, New South Wales; feeding-tuyere for furnace; 29529, 27th October, 1910†; (50, 15th June).
 Bank, E. C., Berkeley, United States America (see Benicia Iron Works, No. 29497).
 Barker, J. H., and another, Birmingham, England; explosive; 29445, 26th April; (62, 27th July).
 Barningham, S., Dunedin, New Zealand; school-desk; 29770, 20th June; (69, 24th August).
 Barr, S., Onehunga, New Zealand; mowing-machine cutter; 29787, 21st June.
 Bartlett, R. H., Kaponga, New Zealand; milk-receiving bucket; 29509, 6th May; (46, 1st June).
 Bastard, A. E., Kaipara, New Zealand; gate-fastener; 29645, 30th May; (62, 27th July).
 Bates, A., and another, Leicester, England (see United Shoe Machinery Company, No. 29604).
 Bates, A., and others, Leicester, England (see United Shoe Machinery Company, No. 28280).
 Bayley, C. S., Auckland, New Zealand; crank-extension; 29383, 5th April; (46, 1st June).
 Baylis, A. E., Pihama, New Zealand; composition for curing sore teats; 29568, 18th May.
 Beamish, W., Hastings, New Zealand; water-flushing apparatus; 29561, 16th May; (50, 15th June).
 Bedford, A. J., and another, Northcote, Victoria; turbine-rotor; 29586, 19th May; (65, 10th August).
 Beenie, A., Glenferrie, Victoria (see W. A. Fraser, No. 29409).
 Beere, W. O., and others, Wellington, New Zealand; flax-treating machine; 29452, 27th April; (42, 18th May).
 Behrens, A., Rakaiia, New Zealand; turnip digger and slicer; 29535, 11th May; (50, 15th June).
 Bell, F. J. T., and others, Bury, England; sewing-machine; 29683, 22nd June, 1910†; (62, 27th July).
 Bell, H. C., and others, Bury, England; sewing-machine; 29683, 22nd June, 1910†; (62, 27th July).
 Bell, W. M., and another, Pukekohe, New Zealand; ladder-bracket; 29642, 31st May; (62, 27th July).
 Belin, E., Paris, France; tachytelegraph, &c., machine; 29714, 13th June; (62, 27th July).
 Benicia Ironworks, San Francisco, United States America; plough-tongue; (E. C. Bank); 29497, 4th May; (69, 24th August).
 Berry, E. D., Palmerston North, New Zealand; utilizing heat from liquids; 29376, 5th April.
 Berry, E. D., Palmerston North, New Zealand; regenerative apparatus; 29477, 1st May; (46, 1st June).
 Berry, E. D., Palmerston North, New Zealand; milk, &c. pasteurizer; 29482, 2nd May; 46, 1st June*; (65, 10th August).
 Best, P. H., Nelson, New Zealand; teat-cup; 29530, 5th May; (46, 1st June).
 Bevan Lock Nut Company, Limited, London, England; nut-lock; (J. A. Wilks); 29544, 16th May; (50, 15th June).
 Bickford, E. J., Randwick, New South Wales; steel seating; 29784, 28th June; (69, 24th August).
 Bidwell, W. E., and others, Featherston New Zealand; electric alarm; 27713, 11th May, 1910; (42, 18th May).
 Billows, A. J., Melbourne, Victoria; liquid-aeration; 29591, 23rd May; (58, 13th July).
 Birmingham Metal and Munitions Company, Limited, and another, Birmingham, England; explosive; 29445, 26th April; (62, 27th July).
 Bishop, B. H. B., and another, Waverley, New Zealand; acetylene-generator; 29183, 27th February; (46, 1st June).
 Blau, H., Augsburg, Germany (see Blaugas-Patent-Gesellschaft m.b.H., Nos. 29772, 29773).
 Blaugas-Patent-Gesellschaft m.b.H., Augsburg, Germany; gas-manufacture; (H. Blau); 29772, 30th August, 1910†; (69, 24th August).
 Blaugas-Patent-Gesellschaft m.b.H., Augsburg, Germany; oil, &c., distillation; (H. Blau); 29773, 30th August, 1910†; (69, 24th August).
 Blockley, J. J., Auckland, New Zealand; flushing-apparatus; 28355, 29th August, 1910; (46, 1st June).
 Blythe, A. J. S., Te Awamutu, New Zealand; floor-polish; 29541, 15th May; (65, 10th August).
 Boniface, C., Otara, New Zealand; pasteurizer-stirrer; 29584, 19th May; (62, 27th July).
 Booth, G. T., Christchurch, New Zealand; cream-separator driving-gear; 29514, 8th May; (46, 1st June).
 Booth, G. T., Christchurch, New Zealand; teat-cup; 29515, 8th May; (46, 1st June).*

APPLICANTS FOR LETTERS PATENT—*continued.*

Bordren, W. H., Winchester, United States America (see United Shoe Machinery Company, No. 28278).

Bosch, C., and others, Ludwigshafen-on-Rhine, Germany (see E. N. Waters, Nos. 29147, 29148).

Bourcoud, A. E., London, England; iron, &c., manufacture; 28966, 10th January, 1910; † (50, 15th June).

Bouvier, G., Tadworth, England; blouse, &c., fastener; 29749, 27th June, 1910; † (62, 27th July).

Bower, S. M., and another, Wanganui, New Zealand; milking-machine releaser; 29612, 26th May; (53, 29th June).*

Bowron Bros., Export and Trading Company, Limited, Christchurch, New Zealand; fleshing-machine; (J. E. Main); 29392, 11th April.

Brandwood, J., and others; Elton, England; sewing-machine; 29683, 22nd June, 1910; † (62, 27th July).

Branton, T., Blenheim, New Zealand; wheel-scoop; 29661, 1st June; (53, 29th June).*

Brennan, L., Gillingham, England; imparting and maintaining stability to single-track vehicles; 27518, 6th April, 1910; (33, 20th April).

Bridgman, E. J., Mabel Bush, New Zealand; rotary engine; 29806, 30th June; (62, 27th July).*

Briggs, T., Leicester, England (see United Shoe Machinery Company, No. 28279).

Bristow, C. (see Coulls, Culling, and Company, Limited, No. 29796).

Bristow, C., Christchurch, New Zealand; grain-sample envelope; 29322, 24th March; (42, 18th May).

Bristow, J. R., and another, Carlton, Victoria; hair-pin; 29442, 26th April.

Broadbent, W., and another, Foxton, New Zealand; crate; 29298, 21st March; (42, 18th May).*

Broadbent, W., and another, Foxton, New Zealand; telephone-mouthpiece disinfectant; 29299, 21st March; (42, 18th May).*

Brown, W. E., Nelson, New Zealand; milk-separator; 29052, 26th January; (46, 1st June).

Browne, M. T., Malvern, Victoria; cash receiver and deliverer; 29464, 28th April; (42, 18th May).*

Brownlie, J., and another, Gore, New Zealand; kerosene-pump tin-piercer; 29554, 17th May.

Bryant, G. F., Christchurch, New Zealand; dust-protector for sulkies; 29575, 18th May; (50, 15th June).*

Buckingham, S. F., Pahiatua, New Zealand; electric circuit current-regulator, &c.; 29608, 25th May; (58, 13th July).

Buckman, R. S., Nottingham, England; rotary valve; 29750, 20th June; (69, 24th August).

Buckman, S. F., Mangatainoka, New Zealand; hose-coupling; 29608, 25th May; (58, 13th July).

Budge, M. E., Christchurch, New Zealand; broom; 29333, 27th March; (42, 18th May).*

Budge, M. E., Christchurch, New Zealand; knickers; 29334, 27th March; (46, 1st June).*

Budge, M. E., Christchurch, New Zealand; preventing mouth-breathing; 29335, 12th June; (53, 29th June).*

Budge, M. E., Christchurch, New Zealand; cotton-unreeling prevention; 29703, 8th June; (58, 13th July).*

Budge, M. E., Christchurch, New Zealand; stocking-support; 29356, 31st March; (42, 18th May).*

Bullen, J. R., Parnell, New Zealand; garden-syringe; 29698, 5th June; (58, 13th July).*

Burdon, J., and others, Bellshill, Scotland; oil-gas production; 29500, 4th May; (50, 15th June).

Burdon, M. M., and others, Bellshill, Scotland; oil-gas production; 29500, 4th May; (50, 15th June).

Burdon, W. M., and others, Bellshill, Scotland; oil-gas production; 29500, 4th May; (50, 15th June).

Burn, J. H., Petone, New Zealand; post-marking, &c., machine; 27719, 1st June, 1910; (42, 18th May).

Burn, J. H., Petone, New Zealand; facing-up table; 27890, 14th June; (37, 4th May).

Burn, R., Petone, New Zealand; telegraph-form, &c., folder; 29555, 17th May; (50, 15th June).*

Burton, G. L., and another, Christchurch, New Zealand; sewing-device for forming pile surface on mat, &c.; 29471, 29th April.

Burton, H. H., and another, Leicester, England; rubber-ropes jointing; 29495, 4th May; (58, 13th July).

Burton, J. C., and another, Leicester, England; rubber-ropes jointing; 29495, 4th May; (58, 13th July).

Butterworth, A. M., Papakura, New Zealand; concrete core-mould; 28210, 4th August, 1910; (53, 29th June).

Byce, L. C., Petaluma, United States America (see Petaluma Incubator Company, No. 29079).

Calvert, G., London, England; burnishing and scarfing; 29577, 7th June, 1910; † (50, 15th June).

Campbell Gas-engine Company, Limited, Halifax, England (see N. Andrew, No. 29540).

Carling, W. T., Guilford, England; water-heater for open stove; 28998, 17th January; (42, 18th May).

APPLICANTS FOR LETTERS PATENT—*continued.*

Carr, S., Sydney, New South Wales; laundry appliance; 29651, 1st June; (58, 13th July).

Carson, A. A., Wellington, New Zealand; tea-taster's testing-kit; 29546, 16th May.

Carter, A., Tauranga, New Zealand; pipe-coupling; 29423, 22nd April; (42, 18th May).*

Caselton, A., and another, Leicester, England (see United Shoe Machinery Company, No. 29604).

Castle, F., and others, Auckland, New Zealand; electric alarm; 27713, 11th May, 1910; (42, 18th May).

Caverhill, F. J. S., Christchurch, New Zealand; shearing-machine driving-gear; 29461, 28th April; (42, 18th May).*

Chapman, H., Wanganui, New Zealand; milk-releaser; 29641, 31st May; (53, 29th June).*

Charley, J. J., Malvern, Victoria; wheeled vehicle and carrier; 29520, 10th May; (65, 10th August).

Charley, J. J., Malvern, Victoria; vehicle-construction; 29677, 6th June; (53, 29th June).*

Charley, J. J., Malvern, Victoria; vehicle-construction; 29678, 6th June; (53, 29th June).*

Cheyne, W. H., and another, Brentford, England; steam-hammer, &c.; 29440, 26th April; (42, 18th May).

Christian, F. N., Tauranga, New Zealand; liquid draw-off; 29788, 28th June; (62, 27th July).

Christie, C., Sydney, New South Wales; lifting-crane; (H. R. M. Whittell); 29042, 1st December, 1910; † (50, 15th June).

Clark, G. A., Cambridge, New Zealand; manure-mixing; 29467, 1st May; (46, 1st June).*

Clarke, J. H., Dunedin, New Zealand; bird-trap; 29673, 5th June; (58, 13th July).*

Clarke, V. F., Khandallah, New Zealand; note-book; 29740, 19th June; (58, 13th July).*

Clement, E. E., Washington, United States America; telephone-exchange system; 29478, 2nd May; (50, 15th June).

Clemett, A. D., and another, Foxton, New Zealand; crate; 29298, 21st March; (42, 18th May).*

Clemett, A. D., and another, Foxton, New Zealand; telephone-mouthpiece disinfectant; 29299, 21st March; (42, 18th May).*

Clere, F. de J., Wellington, New Zealand; concrete-construction form; 29659, 1st June; (58, 13th July).*

Cocks, G. J., Hastings, New Zealand; wire-strainer; 29688, 7th June.

Collett and Son, Limited, Dannevirke, New Zealand; roller-bearing; (G. F. Alder); 29634, 30th May; (65, 10th August).

Collier, R., Clinton, New Zealand; cough-mixture; 29767, 21st June; (62, 27th July).

Cook, J., and another, Temuka, New Zealand; oven-slide holder and stand; 27709, 7th May, 1910; (42, 18th May).

Cooper, A., Palmerston North, New Zealand; plough-gear; 29730, 16th June; (58, 13th July).*

Cooper, C., Mangatoki, New Zealand; milk, &c., sterilizer; 29466, 1st May; (46, 1st June).

Cooper, J. G., and others, Auckland, New Zealand; statement forms, &c.; 29282, 18th March; (50, 15th June).

Coppill, E. A., Takaka, New Zealand; fitching-saw; 29447, 27th April; (46, 1st June).*

Cooze, C. J., Wellington, New Zealand; animal-trap; 29739, 19th June; (58, 13th July).*

Corn, H., Napier, New Zealand; tea-kettle lid; 29632, 30th May.

Coyne, P., Hukerenui, New Zealand; animal-brand; 29277, 16th March; (42, 18th May).*

Coulls, Culling, and Co., Limited, Dunedin, New Zealand; envelope; (C. Bristow); 29796, 24th June; (69, 24th August).

Craddock, A. R., and another, Christchurch, New Zealand; match-lining cramp; 28049, 9th July, 1910; (46, 1st June).

Crawford, A., Auckland, New Zealand; dust-bin; 29731, 16th June; (58, 13th July).*

Cridland, E. A., and others, Leicester, England (see United Shoe Machinery Company, No. 28280).

Crittall, F. H., Braintree, England (see A. Woolnough, No. 29436).

Cronly, L. P., Wellington, New Zealand; music-transposition chart; 29588, 22nd May; (53, 29th June).*

Crosner, A. T., Te Aroha, New Zealand; lamp-holder shade-carrier; 29557, 11th May; (50, 15th June).*

Crosner, A. T., Te Aroha, New Zealand; electric-plug adapter, &c.; 29558, 11th May; (50, 15th June).*

Crosner, A. T., Te Aroha, New Zealand; electric-lamp holder; 29559, 11th May; (50, 15th June).*

Crosner, A. T., Te Aroha, New Zealand; switch electric-lamp holder; 29560, 11th May; (50, 15th June).*

Crowley, M., Otaito, New Zealand; threshing-machine drum; 29759, 19th June; (62, 27th July).*

Cruikshank, J. R., New Plymouth, New Zealand; butter-transport receptacle; 29385, 10th April; (42, 18th May).*

APPLICANTS FOR LETTERS PATENT—*continued.*

- Cunningham, P. E., and others, Chidlow's Well, Western Australia; spark-arrester; 29715, 13th June; (58, 13th July).
- Currie, S. D., and another, Te Aroha, New Zealand; milk-can lid; 29708, 12th June; (62, 27th July).*
- Dalen, G., Stockholm, Sweden (see G. W. K. Morley, No. 27825).
- Dallimore, J. T., Middle Park, Victoria; closet; 29435, 31st May, 1910.†
- Dane, E., and another, Auckland, New Zealand; fire-lighter; 29548, 15th May.
- D'Arcy, A. J., Palmerston North, New Zealand; beehive; 29721, 14th June; (58, 13th July).
- Darlow, G. P., Wellington, New Zealand; milk, &c., container; 29462, 28th April; (42, 18th May).*
- Datson, J. C., Auckland, New Zealand; dentifrice; 29406, 13th April; (42, 18th May).*
- Davidson, J., Sydney, New South Wales; sheep-shear joint; 29441, 15th July, 1910;† (46, 1st June).
- Davies, G. W., Wellington, New Zealand; explosive compound; 29516, 9th May; (62, 27th July).*
- Davies, J. H., Melbourne, Australia; teat-cup; 29601, 25th May; (62, 27th July).*
- Davies, R. W., Christchurch, New Zealand; motor-car wheel; 29368, 3rd April; (42, 18th May).*
- Davis, A. V., Devonport, New Zealand; railway-signal apparatus; 29456, 25th April, 1910.†
- Davis, C. H., Wanganui, New Zealand; milk-release; 29761, 21st June; (69, 24th August).
- Deacon, M., and others, London, England; filtering-apparatus; 29755, 20th June.
- De Montalk, R. W., Auckland, New Zealand; building stud and board; 29533, 12th May; (53, 29th June).
- Dennison, M. U., Dunedin, New Zealand; dress-shield; 29384, 6th April; (53, 29th June).*
- Dennison, M. U., Dunedin, New Zealand; dress-shield; 29511, 4th May; (46, 1st June).*
- Denton, W. H., Christchurch, New Zealand; horse's-leg protector; 29369, 3rd April; (37, 4th May).*
- Devos, L., and others, London, England; metal-cleaning; 29680, 6th June; (58, 13th July).
- Donald, D., Masterton, New Zealand; wire-strainer; 29684, 6th June; (58, 13th July).
- Donald, J. W., Bunnythorpe, New Zealand; milking-machine bucket; 29317, 23rd March; (42, 18th May).*
- Donisthorpe, E. S., London, England; synchronizing working of machinery; 29414, 19th April; (42, 18th May).
- Dorr, J. V. N., Denver, United States America; settling-apparatus; 29389, 11th April; (42, 18th May).*
- Dow, J. L., Middlesex, United States America (see United Shoe Machinery Company, No. 28124).
- Drake, A., New Plymouth, New Zealand; fencing-batten; 29780, 24th June.
- Drake, A., New Plymouth, New Zealand; fencing-post; 29781, 24th June.
- Droutledge, H., Auckland, New Zealand; milking-machine-bucket head; 28120, 19th July, 1910; (33, 20th April).
- Droutledge, H., Ponsonby, New Zealand; spring seat; 29621, 29th May; (58, 13th July).*
- Droutledge, H. (see Eureka Milking-machine Company, Limited, No. 29631).
- Dry, F. H., Stansbury, South Australia (see B. Miller, No. 29479).
- Duxfield, A. H., Hawera, New Zealand; hock-boot; 27787, 27th May, 1910; (46, 1st June; * 46, 1st June).
- Edlin, G. S., and another, Te Kiri, New Zealand; milking-machine pulsator; 29713, 12th June; (62, 27th July).*
- Edwards, A. H., Sydney, New South Wales; fork-cleaning attachment; 29722, 20th June, 1910;† (58, 13th July).
- Edwards, T., Ballarat, Victoria; ore-furnace; 29565, 18th May; (58, 13th July).
- Edwards, T., Ballarat, Victoria; hearth; 29792, 12th September, 1910;† (69, 24th August).
- Edwards, T., Ballarat, Victoria; ore-furnace; 29793, 12th September, 1910;† (69, 24th August).
- Edwards, T., Ballarat, Victoria; furnace-rabbles; 10th October, 1910;† (69, 24th August).
- Eggleton, A. J., Ohakune, New Zealand; timber-seasoning; 29420, 19th April; (53, 29th June).*
- Eggleton, W., Bunnythorpe, New Zealand; spanner; 29398, 13th April; (46, 1st June).
- Elliott, E., Richmond, New Zealand; gramophone; 29453, 27th April; (42, 18th May).*
- Elliott, H. J., Wellington, New Zealand; boot-polish, &c., tin; 29357, 1st April; (42, 18th May).*
- Eppler, A. S., Lynn, United States America (see United Shoe Machinery Company, Nos. 28109, 28110).

APPLICANTS FOR LETTERS PATENT—*continued.*

- Esson, J., and another, Johannesburg, Transvaal; tire-inflating; 29026, 28th February, 1910;† (46, 1st June).
- Eureka Milking-machine Company, Limited, Auckland, New Zealand; milking-machine; (H. Droutledge); 29631, 27th May; (69, 24th August).*
- Fabian, C. H., Wellington, New Zealand; skylight; 28125, 21st July, 1910; (50, 15th June).
- Fenton, H., Sydney, New South Wales; stocking-suspender, &c.; 29724, 15th June; (58, 13th July).
- Fenton, J. W., Fairfield, New Zealand; medicine; 29792, 21st July, 1910; (42, 18th May).
- Ferguson, P. A., Dunedin, New Zealand; drying printer's sheets; 29463, 28th April; (42, 18th May).*
- Frost, J. E., Wellington, New Zealand; advertising-novelty; 29616, 27th May.
- Fiddy, F. C. P., and another, Gisborne, New Zealand; solder; 29782, 24th June; (69, 24th August).
- Field, F. M., and another, Melbourne, Victoria; stopping railway-trains; 28780, 23rd November, 1910; (42, 18th May).
- Finch, E. G., and another, Kew, Victoria; drying fleeces on sheep; 29628, 30th May; (53, 29th June).
- Firth, E. T. C., Auckland, New Zealand; wind and water meter; 28996, 11th May; (46, 1st June).*
- Firth, T., Wellington, New Zealand; stock, &c., for animals; 29639, 30th May; (62, 27th July).
- Fitchett, W. H., Shannon, New Zealand; non-refillable bottle; 29485, 3rd May.
- Fitchett, W. H., Shannon, New Zealand; hat-pin-point protector; 29700, 8th June.
- Fitzgerald, W., Christchurch, New Zealand; vermin-trap; 29692, 7th June; (58, 13th July).*
- Fitzgerald, W., Christchurch, New Zealand; feed-bag; 29756, 20th June; (62, 27th July).*
- FitzHugh, V. M., and others, Doodlakine, Western Australia; spark-arrester; 29715, 13th June; (58, 13th July).
- Fletcher, H. G., and another, Palmerston North, New Zealand; cow-bail; 29370, 5th April; (42, 18th May; * 65, 10th August).
- Flürschheim, B. J., Fleet, England; explosive; 29101, 17th February, 1910;† (46, 1st June).
- Forse, L., and others, Yeovil, England; vehicle-wheel; 29682, 8th June, 1910.†
- Fotheringham, J., and others, Launceston, Tasmania; fruit-picking bag; (J. Fotheringham and Co.); 29553, 12th August, 1910;† (65, 10th August).
- Fotheringham, J., and Co., Launceston, Tasmania (see J. and W. Fotheringham and C. H. Pearl, No. 29553).
- Fotheringham, W., and others, Launceston, Tasmania; fruit-picking bag; (J. Fotheringham and Co.); 29553, 12th August, 1910;† (65, 10th August).
- Fountain, W. G., and another, Hamilton, New Zealand; milk-releaser; 29539, 12th May; (50, 15th June).*
- Francis, W. J., Waimataitai, New Zealand; drawing air from vessels; 29672, 2nd June.
- Fraser, J., Milton, New Zealand; window-sash fitting; 29768, 21st June; (65, 10th August).*
- Fraser, W. A., Melbourne, Victoria; animal-rug securing; (A. Beenie); 29409, 19th April; (42, 18th May; * 46, 1st June).
- Fraser, W. A., Melbourne, Victoria; white-lead manufacture; (W. Somerville); 29518, 9th May; (53, 29th June).*
- French, E. J., Auckland, New Zealand; clothes-cleaner; 29757, 19th June; (69, 24th August).*
- Friend, J. E., Auckland, New Zealand; oil-gas motor; 29711, 12th June; (58, 13th July).*
- Fulyerd, G. R., Christchurch, New Zealand; soap; 29387, 10th April; (46, 1st June).*
- Galbally, J. O., Wanganui, New Zealand; milk-releaser; 29687, 7th June; (53, 29th June).*
- Galbraith, J., Waihi, New Zealand; roller skate; 29446, 25th April; (42, 18th May).*
- Gambrill, R., and another, Wellington, New Zealand; milk-can strainer; 29625, 29th May; (62, 27th July).*
- Gans, R., Berlin, Germany (see J. D. Riedel Aktiengesellschaft, Nos. 29743, 29744).
- Gardner, D., and another, St. Petersburg, Russia; oil-treatment; 29797, 27th June; (69, 24th August).
- Gardner, J. O., Glorit, New Zealand; tussock, &c., remover; 29795, 28th June; (62, 27th July).*
- Garland, T., and another, Wellington, New Zealand; milk-can strainer; 29625, 29th May; (62, 27th July).*
- Gaston, W. G., Kensington, Victoria (see E. S. Baldwin, No. 29450).
- Ge, W. C., and another, Wellington, New Zealand; sun-blind; 29345, 30th March; (42, 18th May).*

APPLICANTS FOR LETTERS PATENT—*continued.*

Gesellschaft für Drahtlose Telegraphie m.b.H., Berlin, Germany; electrical-oscillations producing; (G. von Arco); 29524, 10th May; (72, 7th September).

Gesellschaft für Drahtlose Telegraphie m.b.H., Berlin, Germany; electrical-oscillations producing; (L. Mandelstam and N. Papalex); 29525, 10th May; (72, 7th September).

Gibbins, W. G., Forest Gate, England; washing, dyeing, &c., machine; 29774, 2nd July, 1910†; (69, 24th August).

Gilbert, J. B., Beverly, United States America (see United Shoe Machinery Company, No. 29603).

Gillies, A., Heidelberg, Victoria; teat-cup; 28806, 24th December, 1909†; (42, 18th May).

Gilshnan, H. H., Kakarama, New Zealand; fastening whip-thong to handle; 27684, 5th May, 1910; (42, 18th May).

Giodwad, H. H., and another, Randers, Denmark (see L. V. Marcker and S. J. V. Hansen, No. 29563).

Gitsham, J., Moonee Ponds, Victoria; gold-recovering; 29499, 4th May; (50, 15th June).

Globe Chemical Works, San Francisco, United States America; fume-destroyer; (S. W. Young); 29690, 7th June; (58, 13th July).

Gloyn, W., Whangarei, New Zealand; bridge-lifting; 29288, 20th March; (46, 1st June).

Godfrey, W., and another, Wellington, New Zealand; sun-blind; 29345, 30th March; (42, 18th May)*.

Goehler, M., Vancouver, Canada; cement, &c., building-construction; 29379, 7th April; (42, 18th May).

Goodhart, G. C., Inkpen, England; internal-combustion-engine self-starting device; 29517, 1st July, 1910†; (46, 1st June).

Gore, W., and others, London, England; filtering-apparatus; 29755, 20th June.

Goring, B. Y., and another, Wellington, New Zealand; cover for bowls; 29636, 30th May; (58, 13th July)*.

Gough, F., Hokitika, New Zealand; medicine; 29361, 3rd April; (37, 4th May)*.

Gouldbourn, J., and others, Leicester, England (see United Shoe Machinery Company, No. 28280).

Graaff, C., Berlin, Germany; fire-extinguisher; 29419, 21st April; (42, 18th May).

Grace, T., Sydney, New South Wales; resilient wheel; 29527, 11th May.

Graham, R. T., and another, Auckland, New Zealand; fire-lighter; 29548, 15th May.

Gray, A., Wellington, New Zealand; letter-sheet and envelope; 27833, 7th June, 1910; (42, 18th May).

Gray, A. R., Wellington, New Zealand; hatpin-point protector; 29504, 4th May; (46, 1st June)*.

Gray, G., Dunedin, New Zealand; agricultural roller and scraper; 27888, 11th June, 1910; (37, 4th May).

Gray, R. R., and another, Palmerston North, New Zealand; cow-bail; 29370, 5th April; (42, 18th May)*; 65, 10th August).

Grayson, G. H., and another, Auckland, New Zealand; ladder-bracket; 29642, 31st May; (62, 27th July).

Green, C. J., Fairfax, New Zealand; spark-extinguisher; 27537, 11th April, 1910; (37, 4th May)*; 37, 4th May).

Grooby, R. T., Murchison, New Zealand; machinery-belt; 29800, 30th June; (69, 24th August)*.

Guest, H. W., Melbourne, Victoria (see E. S. Baldwin, No. 29450).

Gulleford, R. H., St. Albans, New Zealand; boot, &c., heel grip; 29012, 18th January; (42, 18th May).

Gunn, J. W., Waikaka, New Zealand; hatpin-point protector; 29580, 18th May; (53, 29th June).

Gurr, T. S., and another, Dunedin, New Zealand; railway-signalling apparatus; 29382, 4th April; (42, 18th May)*.

Gurr, T. S., and another, Dunedin, New Zealand; train-signalling apparatus; 29611, 24th May; (53, 29th June)*.

Gutschlag, F., Maitland, New Zealand; animal-rearing prevention; 29760, 19th June.

Hadaway, J. B., Swampscott, United States America (see United Shoe Machinery Company, Nos. 27641, 28112, 29691).

Hainsworth, A. J., Wellington, New Zealand; water-heater; 29433, 25th April; (42, 18th May)*.

Hale, A. H., and another, Palmerston North, New Zealand; heater and pasteurizer; 29381, 7th April; (46, 1st June).

Hale, H. E., Palmerston North, New Zealand; garden-hoe; 29674, 5th June; (58, 13th July).

Hamilton, J., East Orange, United States America; compositions of matter; (C. J. Healy); 29605, 25th May; (53, 29th June).

Hamilton, W. L., Glasgow, Scotland; aerial railway; 29726, 13th January, 1910†; (58, 13th July).

Hamlin, E. A. G., Napier, New Zealand; hollow concrete wall; 29360, 3rd April.

Handcock, R., Timaru, New Zealand; axle-oiler; 29669, 2nd June.

APPLICANTS FOR LETTERS PATENT—*continued.*

Hansen, S. J. V., and another, Sydney, New South Wales; umbrella, &c.; (H. H. Giodwad and J. Rassmussen); 29563, 18th May; (50, 15th June)*.

Hansen, R., Otahuhu, New Zealand; tool for spreading soil; 29649, 31st May.

Hardie, R., Christchurch, New Zealand; candle-extinguisher; 29474, 1st May; (46, 1st June)*.

Hargraves, C. A. W., and another, Gisborne, New Zealand; solder; 29782, 24th June; (69, 24th August).

Harkness, B. G. A., Stratford, New Zealand; air-pump valve; 29665, 2nd June; (58, 13th July).

Harley, G., and another, Moutere, New Zealand; case and filler; 29316, 23rd March; (42, 18th May).

Harper, G. H., Grey Lynn, New Zealand; level; 28477, 21st September, 1910; (42, 18th May).

Harrington, J., and another, Petone, New Zealand; egg-tester; 29522, 10th May; (46, 1st June)*.

Harrison, I., Miramar, New Zealand; bottle-corking apparatus; 29377, 6th April; (46, 1st June).

Harrison, R. E., and another, Kohukohu, New Zealand; tank-filter; 29720, 14th June; (62, 27th July)*.

Haverland, L. F. C., and another, Adelaide, South Australia; saddle; 28377, 2nd September, 1910; (46, 1st June).

Hawkes, D. J., Christchurch, New Zealand; door stop and holder; 29372, 5th April; (42, 18th May)*.

Hayne, J. R., Dunedin, New Zealand; meat, &c., preserving; 29590, 23rd May; (62, 27th July)*.

Healy, C. J., Brooklyn, United States America (see J. Hamilton, No. 29605).

Hele-Shaw, H. S., and another, London, England; pump and motor; 29596, 23rd May; (58, 13th July).

Hendricksen, J. H. P., Auckland, New Zealand; hatch-cover securing; 29727, 15th June; (58, 13th July)*.

Hendricksen, J. H. P., Auckland, New Zealand; hatch-cover; 29728, 15th June; (58, 13th July)*.

Henning Process Sugar Extraction Company, San Francisco, United States America; sugar-manufacture; (W. Henning); 29408, 13th April; (46, 1st June).

Henning, W., Lahaina, Island of Maui (see Henning Process Sugar-extraction Company, No. 29408).

Hill, J. A., Sheffield, England; ordnance-projectile; (H. Stanbridge); 29363, 4th April; (42, 18th May).

Hildyard, R. J. L., Melbourne, Victoria; metal-wheel manufacture; 28613, 20th October, 1910; (33, 20th April).

Hirschhorn, J., Berlin, Germany (see O. H. Stapelfeldt, Nos. 27752, 27753).

Hobbs, R. J., and another, Dunedin, New Zealand; railway-signalling apparatus; 29382, 4th April; (42, 18th May)*.

Hobbs, R. J., and another, Dunedin, New Zealand; train-signalling apparatus; 29611, 24th May; (53, 29th June)*.

Hodge, E., Christchurch, New Zealand; wood-turning machinery; 29287, 17th March; (42, 18th May)*.

Hogan, C., Nightcaps, New Zealand; spark-arrester; 27614, 22nd April, 1910; (33, 20th April).

Hogg, F. M., and another, Evans Flat, New Zealand; plough-coulter; 29543, 16th May; (50, 15th June)*.

Hogg, O. E., Wellington, New Zealand; frying-pan cover; 29552, 17th May; (53, 29th June).

Hogg, W. M., and another, Lawrence, New Zealand; plough-coulter; 29543, 16th May; (50, 15th June)*.

Holden, G. F., Geelong, Victoria; potato treating and preserving; 29592, 23rd May; (53, 29th June)*.

Holloway, F., and another, Wanganui, New Zealand; linoleum, &c., cleaner; 29320, 24th March; (46, 1st June)*.

Holmes, C. P., Lynn, United States America (see United Shoe Machinery Company, No. 28111).

Holmes, G. G., Pigeon Bay, New Zealand; dredge-bucket, &c.; 28091, 15th July, 1910; (28, 6th April)*.

Holmes, G. G., jun., and another, Pigeon Bay, New Zealand; lawn-mower attachment; 28910, 19th December, 1910; (37, 4th May).

Holmes, G. G., jun., and another, Christchurch, New Zealand; envelope-sealing; 29519, 9th May; (53, 29th June)*; 69, 24th August).

Hosking, A., and another, Palmerston North, New Zealand; milk, &c., pasteurizer; 29483, 2nd May; (46, 1st June).

Hosking, A., and another, Palmerston North, New Zealand; milk heater and cooler; 29507, 5th May; (65, 10th August).

Houghton, D. B., Sydney, New South Wales (see O. H. Stapelfeldt, Nos. 27752, 27753).

Hudson, A., and another, Te Hopai, New Zealand; flax-treating apparatus; 29399, 13th April; (42, 18th May).

Hugh (see FitzHugh).

Hughson, W., New Plymouth, New Zealand; spring wheel; 29432, 25th April; (42, 18th May)*.

Hunter, J. D., Dunedin, New Zealand; curd-breaker, &c.; 29783, 24th June; (72, 7th September)*.

APPLICANTS FOR LETTERS PATENT—*continued.*

- Hunter, J. T., Wellington, New Zealand; artificial india-rubber; (J. B. Scammell); 29418, 20th April; (53, 29th June).
- Hunter, W. E., Maungakarama; cow's-tail holder; 29667, 5th June; (58, 13th July).*
- Hurle, J., and another, New Plymouth, New Zealand; motor and pump for elevating milk, &c.; 29492, 29th April; (46, 1st June).*
- Hutcheson, G. R., Wellington, New Zealand; floor and roof construction; 29556, 17th May; (58, 13th July).*
- Jackson, G., Napier, New Zealand; concrete building; 29695, 6th June.
- James, H. W., Inglewood, New Zealand; milk-aerator, &c.; 29448, 27th April; (46, 1st June).*
- Jameson, K. S., Christchurch, New Zealand; clothes-basket; 29583, 20th May.
- Jameson, R. D., Wellington, New Zealand; lamp; 29638, 30th May; (53, 29th June).*
- Jeanneret, C. F., Leichhardt, New South Wales; concrete wall, &c., construction; 29393, 12th April; (42, 18th May).
- Jensen, H., Matapouri, New Zealand; wire-strainer; 29617, 27th May; (53, 29th June).
- Jenyns, S. A., Brisbane, Queensland; corset; 29624, 30th May, 1910†; (53, 29th June).
- Johnson, A. E., Beverly, United States America (see United Shoe Machinery Company, No. 29344).
- Johnson, C., Thames, New Zealand; hat-pin-point protector; 29587, 22nd May; (53, 29th June).
- Johnson, G., Brisbane, Queensland; concrete-brick, &c., machine; 29745, 20th June; (65, 10th August).
- Johnstone, W. L., and another, Palmerston North, New Zealand; milk, &c., pasteurizer; 29483, 2nd May; (46, 1st June).
- Johnstone, W. L., and another, Palmerston North, New Zealand; milk heater and cooler; 29507, 5th May; (65, 10th August).
- Jones, A. J., and another, Nelson, New Zealand; cooking-utensil; 29643, 31st May; (58, 13th July).*
- Jones, W. H., and another, Nelson, New Zealand; cooking-utensil; 29643, 31st May; (58, 13th July).*
- Joseph, J. A., Birchfield, New Zealand; railway fish-plate; 29248, 13th March; (42, 18th May).*
- Joy, W. G., and another, Auckland, New Zealand; venetian-blind raising; 29766, 20th June; (62, 27th July).*
- Kearns Manufacturing Company, Philadelphia, United States America (see E. S. Baldwin and H. H. Rayward, No. 29595).
- Keesing, H. M., Auckland, New Zealand; preserve, &c., jar; 29732, 15th June; (58, 13th July).*
- Kelly, G., and another, Wanganui, New Zealand; linoleum, &c., cleaner; 29320, 24th March; (46, 1st June).*
- Kennedy, H. C., Toronto, Canada; spring wheel; 29438, 29th July, 1910†; (50, 15th June).
- Keppel, J. J., Lawrence, New Zealand; wire-strainer; 27307, 11th April, 1910; (33, 20th April).
- Kerse, G. C., Orepuki, New Zealand; stirrup-iron; 29626, 29th May.
- King (see Sherwood-King).
- Kitching, R. J., Wellington, New Zealand; tin-opener; 29623, 29th May; (62, 27th July).*
- Lambert, F. H., Shannon, New Zealand; potato-blight destroyer; 29789, 28th June; (62, 27th July).*
- Lambie, R., jun., and another; milking-machine pulsator; 29713, 12th June; (62, 27th July).*
- Lanigan, P., Auckland, New Zealand; vehicle-brake; 29647, 6th July; (62, 27th July).*
- Laurent, L. F., New Plymouth, New Zealand; disc plough; 27576, 18th April, 1910; (37, 4th May).
- Laut, C., Gulgong, New South Wales; puncture-stop; 29362, 4th April; (37, 4th May).
- Lawrence, J. H., Dunedin, New Zealand; hose-pipe unions, &c.; 29805, 30th June; (65, 10th August).*
- Leonard, J., Wellington, New Zealand; table-game apparatus; 27767, 24th May, 1910; (37, 4th May).
- Lever, S., Sydney, New South Wales; shirt, &c., neckband; 29394, 4th July, 1910†; (42, 18th May).
- Levien, E. P., Rangiotu, New Zealand; fibre-catcher; 29758, 21st June; (65, 10th August).*
- Levinge, H. M., Okato, New Zealand; clothes-line standard; 29622, 29th May; (62, 27th July).
- Levinge, H. M., Okato, New Zealand; acetate of soda, potash, &c., preparing; 29804, 30th June.
- Levy, S., Sydney, New South Wales; boot or shoe; 29723, 14th June.
- Lewis, W., Sydney, New South Wales; footwear warming, &c.; 29601, 17th January; (46, 1st June).

APPLICANTS FOR LETTERS PATENT—*continued.*

- Lewis, W., Wellington, New Zealand; acetylene-lamp and generator; 29706, 10th June; (58, 13th July).*
- Lietz, W. F., Gisborne, New Zealand; cooling cylinder, &c., of internal-combustion engine; 29475, 2nd May; (50, 15th June).*
- Lister, M. J., Dunedin, New Zealand; pick, crowbar, and rammer; 29455, 22nd April; (42, 18th May).*
- Lister, M. J., Dunedin, New Zealand; fencing-tool; 29579, 18th May; (53, 29th June).*
- Lister, W. L., and another, Mosman, New South Wales; inserting links in shirt-cuff; 29652, 11th October, 1910†; (53, 29th June).
- Lister, J. K. B., and another, Mosman, New South Wales; inserting links in shirt-cuff; 29652, 11th October, 1910†; (53, 29th June).
- Livens, W. H., Auckland, New Zealand; gas or oil engine; 29476, 29th April.
- Luks, H., Wellington, New Zealand; ammeter and voltmeter; 29484, 2nd May; (46, 1st June).*
- Lund, T., Beverly, United States America (see United Shoe Machinery Company, No. 29449).
- Lusk, G. B., and another, Wellington, New Zealand; clothes-peg bag; 29593, 23rd May.
- Lusk, G. B., and another, Auckland, New Zealand; toaster; 29696, 6th June.
- Lyall, J., Dunedin, New Zealand; tin, &c., lid; 29738, 19th June; (62, 27th July).*
- McAnulty, V. J., Rakaia, New Zealand; wire coiler and uncoiler; 29633, 30th May; (53, 29th June).*
- McBeth, H. J., and another; Dalby, Queensland; stirrup-leather release; 27948, 23rd June, 1910; (46, 1st June).
- McCulloch, H., Liverpool, England; indicating strain on derrick, &c.; 29358, 1st April; (42, 18th May).*
- McDermid, G. D., Dunedin, New Zealand; hair-ornaments securing; 29490, 1st May; (46, 1st June).
- McDermott, L. L., and others, Auckland, New Zealand; electric alarm; 27713, 11th May, 1910; (42, 18th May).
- McDermott, P., and another, Drysdale, Victoria; plough-share; 29232, 8th March; (42, 18th May).
- McDermott, T., and another, Drysdale, Victoria; plough-share; 29232, 8th March; (42, 18th May).
- McDonald, H., Auckland, New Zealand; nut-lock; 29291, 20th March; (53, 29th June).
- McDougall, H. K., Auckland, New Zealand; steam-propulsion; 29662, 31st May; (58, 13th July).*
- MacFarlane, D. W., and another, Dunedin, New Zealand; gold-saving; 29337, 29th March; (46, 18th May).*
- Macfarlane, I. G., Auckland, New Zealand; concrete building; 29646, 30th May; (65, 10th August).*
- McFeeley, R. F., Beverly, United States America (see United Shoe Machinery Company, No. 29415).
- McGaffin, R., Hastings, New Zealand; earth, &c., loader; 29707, 9th June; (58, 13th July).*
- McGann, T., and another, Mortlake, Victoria; window anti-rattler; 29343, 29th March; (42, 18th May).*
- McGill, D., Petone, New Zealand; flax-treating chemical process; 29429, 25th April; (42, 18th May).*
- McGill, D., Petone, New Zealand; flax-treating apparatus; 29430, 25th April; (42, 18th May).*
- McGill, D., Petone, New Zealand; flax-treating chemically; 29542, 15th May; (50, 15th June).*
- McGill, H. J., Auckland, New Zealand; dining and billiard table bed elevating, &c.; 29648, 30th May; (65, 10th August).*
- McGill, H. J., Auckland, New Zealand; billiard-table, &c., lowering; 30th May; (65, 10th August).*
- MacGregor, W. P. S., Dunedin, New Zealand; animal-trap peg; 29585, 19th May; (53, 29th June).*
- McGurk, M., and another, Wellington, New Zealand; cover for bowls; 29636, 30th May; (58, 13th July).*
- McHardy, R. H., London, England; pianoforte; 29752, 20th June; (62, 27th July).
- McHardy, R. H., London, England; pianoforte; 29753, 20th June; (62, 27th July).
- McKellar, C. G., Christchurch, New Zealand; tennis-racquet; 28918, 21st December, 1910; (42, 18th May).
- McKellar, C. G., Christchurch, New Zealand; cycle-wheel-chain adjustment; 29480, 1st May; (46, 1st June).
- McKenzie, M. A., and another, Hamilton, New Zealand; milking-machine releaser; 29735, 17th June; (69, 24th August).*
- McKenzie, F. L., and another, Beverly, United States America (see United Shoe Machinery Company, No. 29691).
- McKenzie and Holland, Limited, and others, London, England, and Melbourne, Victoria; railway-signalling; 29437, 26th April; (42, 18th May).

APPLICANTS FOR LETTERS PATENT—*continued.*

McKenzie and Holland, Limited, and others, London, England, and Melbourne, Victoria; railway-rail contact; 29594, 23rd May; (58, 13th July).

Mackintosh, W. M., and another, Liscard, England; tool; 28663, 2nd November, 1910; (42, 18th May).

McLaren, J. D., Manawaru, New Zealand; wire-strainer; 29689; 7th June; (58, 13th July).*

McLaughlan, E. M., Spring Hills, New Zealand; plough-attachment; 27901, 15th June, 1910; (53, 29th June)*; 53, 29th June).

McLaughlin, A., Wellington, New Zealand; frame for swing baby-cradle; 29468, 1st May; (46, 1st June).*

McLaurin, A., Pohangina, New Zealand; timber-loading bracket; 29644, 31st May; (62, 27th July).*

McLaurin, A., and another, Marokopa, New Zealand; tank or vat; 28054, 12th July, 1910; (37, 4th May).

McLaurin, J. D., and another, Pohangina, New Zealand; tank or vat; 28054, 12th July, 1910; (37, 4th May).

McLay, J., and another, Christchurch, New Zealand; milking-machine pulsator; 29658, 1st June; (62, 27th July).*

McLean, A., Dannevirke, New Zealand; fencing-standard; 29736, 17th June; (62, 27th July).

McLean, F. R., and another, Waipatiki, New Zealand; shearing-machine starting and stopping; 29297, 21st March; (46, 1st June).*

McLean, T. D., and another, Waipatiki, New Zealand; shearing-machine starting and stopping; 29297, 21st March; (46, 1st June).*

McLeod, A., Auckland, New Zealand; mine, &c., ventilation; 29709, 5th June; (53, 29th June).

McNab, N. S., and another, Dunedin, New Zealand; stamping, &c., machine; 28013, 29th June, 1909†; (42, 18th May).

McPherson, W., Woodend, New Zealand; spark-arrester; 29404, 12th April; (42, 18th May).*

McSweeney, E., Manawaru, New Zealand; utensil-cleaner; 29699, 8th June; (58, 13th July).*

Main, J. E., Christchurch, New Zealand (see Bowron Bros., Export and Trading Company, Limited).

Maloney, J. P., Fortrose, New Zealand; box-stapling; 27781, 23rd May, 1910; (46, 1st June).

Mandelstam, L., and another (see Gesellschaft fur Drahtlose Telegraphie m.b.H., No. 29525).

Mander, H., and another, Westport, New Zealand; tire-inflater; 29494, 2nd May.

Mander, H. F., and another, Westport, New Zealand; corrugated iron; 27783, 24th May, 1910; (50, 15th June).

Manser, W., Lal Lal, Victoria; spark-arrester; 29564, 18th May; (50, 15th June).

Marchant, S. B., Balaklava, South Australia; roof-ridge cap; 29375, 6th April; (58, 13th July).*

Marino, P., London, England; electric-battery separator; 29412, 19th April; (42, 18th May).

Maroker, L. W., and another, Sydney, New South Wales; umbrella, &c.; (H. H. Giodwad and J. Rassmussen); 29563, 18th May; (50, 15th June).*

Marriage, M. W., and another, Dunedin, New Zealand; boiler and washer; 29769, 21st June; (62, 27th July).*

Marriott, C., Northcote, Victoria (see S. G. Pirani, No. 29513).

Marshall, N. C., Cambridge, New Zealand; account form, &c.; 29718, 10th June; (62, 27th July).*

Marsom, W. J., Normanby, New Zealand; gate; 29521, 10th May; (50, 15th June).*

Martineau, F. L., and another, London, England; pump and motor; 29596, 23rd May; (58, 13th July).

Mascord, G. W., London, England; rotary motor; 27578, 19th April, 1910; (33, 20th April).

Mason, V. E., and another, Wanganui, New Zealand; tank-filter; 29720, 14th June; (62, 27th July).*

Massey, G., Sydney, New South Wales; sheep-shearing machine; 28121, 1st July, 1910; (50, 15th June).

Masters, A. B., Christchurch, New Zealand; car-fare collecting, &c.; 29791, 29th June; (62, 27th July).*

Matthews, F., Ashurst, New Zealand; kerosene-tin emptying; 29737, 19th June; (62, 27th July).*

Matthews, F. E., and others, London, England; manufacture of dihalogen derivatives of paraffin hydrocarbons; 29627, 30th May; (62, 27th July).

Matthews, R. E. N., Richmond, New Zealand; aeroplane; 29676, 1st June; (53, 29th June).*

Mau, J. H., Ballarat, Victoria; butter-manufacture; 29654, 1st June; (62, 27th July).*

Maunders, R. S., Hawera, New Zealand; milk-releaser; 29486, 3rd May; (46, 1st June).*

Maxwell, W., Napier, New Zealand; tire-cover; 29597, 3rd July; (62, 27th July).*

Mayo, J. A., and others, Yeovil, England; vehicle-wheel; 29682, 8th June, 1910.†

Mays, F., Dunedin, New Zealand; ladder-platform bracket; 29400, 13th April; (46, 1st June).*

APPLICANTS FOR LETTERS PATENT—*continued.*

Merrill, C. W., Berkeley, United States America; recovering valuable materials from solution; 29458, 28th April; (50, 15th June).

Merrill, C. W., Berkeley, United States America; treating semi-solid material; 29459, 28th April; (50, 15th June).

Messenger, T. W., Quorn, South Australia; ear-trumpet and hair-pad; 29653, 30th November, 1910†; (58, 13th July).

Mewburn, G. R., and another, London, England; steam-hammer, &c.; 29440, 26th April; (42, 18th May).

Meyer, W. C., Boston, United States America (see United Shoe Machinery Company, No. 28111).

Milburn, J., Havelock North, New Zealand; cinematograph; 27958, 24th June, 1910; (53, 29th June).

Millar, F. R., Melbourne, Victoria; furnace; 29378, 7th April; (42, 18th May).*

Miller, B., Adelaide, South Australia; lime-kiln; (F. H. Dry); 29479, 2nd May; (53, 29th June).

Miller, E. J. M., and another, Waverley, New Zealand; acetylene-generator; 29183, 27th February; (46, 1st June).

Mittasch, A., and others, Ludwigshafen-on-Rhine, Germany (see E. N. Waters, Nos. 29147 and 29148).

Mjolkkningsmaskin Aktiebolaget, Hornsberg, Sweden (see G. K. Morley, No. 27825).

Moir, J. B., Invercargill, New Zealand; garden roller; 27912, 15th June, 1910; (37, 4th May).

Montalk (see De Montalk).

Moody, S., Preston, Victoria; cycle handle-bar, stem, and lamp-bracket; 29434, 26th April; (42, 18th May).

Moreton, C. J., Balclutha, New Zealand; drawing-board, desk, &c.; 29547, 16th May; (50, 15th June).

Morton, W., Dunedin, New Zealand; hatpin-point guard; 29489, 1st May.

Morton, W., Dunedin, New Zealand; boot cleaning and polishing stand; 29561, 13th May; (50, 15th June).*

Morley, G. W. K., Christchurch, New Zealand; milking-machine; (Mjolkkningsmaskin Aktiebolaget—G. Dalen); 27825, 4th June, 1910; (37, 4th May).

Morton, W., Dunedin, New Zealand; franking-machine; 27652, 26th April, 1910; (37, 4th May).

Morton, W., Dunedin, New Zealand; boot-cleaning, &c., stand; 29551, 13th May; (50, 15th June).*

Mosley, J., Stirling, New Zealand; water-distributor through pipes; 29281, 18th March; (42, 18th May).

Moss, E., Christchurch, New Zealand; clamping spare rim to motor-car; 29062, 26th January; (53, 29th June).

Moss, E., Christchurch, New Zealand; franking-machine ribbon-feed; 29348, 29th March; (42, 18th May).*

Moss, E., Christchurch, New Zealand; postal franking-machine; 29581, 20th May; (53, 29th June).*

Moss, V. R., Westport, New Zealand; linoleum ends protecting; 29323, 23rd March; (46, 1st June).*

Mouat, M., Otahuhu, New Zealand; sanitary apparatus; 29741, 19th June; (62, 27th July).*

Muir, C., and another, Sydney, New South Wales (see Muir-Vincent Smoke Consumer and Fuel Economiser Company, Limited, No. 29498).

Muirhead, J., Palmerston North; merry-go-round; 29366, 4th April.

Muir-Vincent Smoke Consumer and Fuel Economiser Company, Limited, Sydney, New South Wales; boiler-furnace; (A. Vincent and C. Muir); 29498, 4th May; (53, 29th June).

Munn, D., Te Aute, New Zealand; ointment and liniment; 29710, 12th June.

Murphy, P., Balmain, New South Wales; flushing-valve; 29373, 6th April; (50, 15th June).

Murphy, P., Sydney, New South Wales; water-heater; 29606, 25th May; (53, 29th June).

Murphy, P., Sydney, New South Wales; gas and water controller for heater; 29607, 25th May; (58, 13th July).

Napier, T., Auckland, New Zealand; concrete-step construction; 29567, 18th May; (53, 29th June).

Napier, T., Auckland, New Zealand; concrete drinking-trough; 29657; 1st June; (58, 13th July).

Napier, W. C., Christchurch, New Zealand; ship's-engine controller; 29319, 23rd March; (46, 18th May).*

Nathan, F. J., and another, Palmerston North, New Zealand; heater and pasteuriser; 29381, 7th April; (46, 1st June).

National Machine Recorder Company, Chicago, United States America (see E. Phillips, No. 29717).

Nelson, W. M., Christchurch, New Zealand; tramway-car; 29629, 29th May; (58, 13th July).*

Nesbitt, C. L., Toronto, Canada; piano key-board guide; 28936, 23rd December, 1910; (33, 20th April).

Nesbitt, G., Melbourne, Victoria; trunk-fastening; 29566, 18th May; (50, 15th June).

Neville, H., and another, Wellington, New Zealand; clothes-peg bag; 29593, 23rd May.

Neville, H., and another, Auckland, New Zealand; toaster; 29696, 6th June.

APPLICANTS FOR LETTERS PATENT—*continued.*

Nicholas, W., Waimate, New Zealand; hydraulic ram; 29396, 11th April; (53, 29th June).*

Nicholls, R. E., Wellington, New Zealand; crank case "breather"; 29637, 30th May; (62, 27th July).*

Nicol, W. J., St. Arnaud, Victoria; table-utensil washing; 29790, 29th June; (69, 24th August).

Norgrove, H., Takapuna, New Zealand; steam-boiler; 29785, 26th June; (62, 27th July).*

Norrie, A. E., Christchurch, New Zealand; decoy-duck; 29508, 5th May; (62, 27th July).*

Northcott, F. J., Christchurch, New Zealand; milking-machine receiving-can; 29470, 1st May; (46, 1st June).

Nuttall, J. A., Marton, New Zealand; washing-board attachment; 29444, 26th April; (46, 1st June).

O'Donnell, T. H., and another, Christchurch, New Zealand; sewing-device for forming pile surface on mat, &c.; 29471, 29th April.

Ogden, N., East Brunswick, Victoria; butter, &c., box; 29679, 6th June; (53, 29th June).*

Oldman, C. A., Waiiau, New Zealand; oil-can; 28368, 2nd September, 1910; (46, 1st June).

Olson, C. F., and another, Petone, New Zealand; egg-tester; 29522, 10th May; (46, 1st June).*

O'Malley, C., Christchurch, New Zealand; street-sprinkler; 27953, 23rd June, 1910; (42, 18th May).

Owens, E. C., North Williamstown, Victoria; breeching-retention; 29407, 13th April; (42, 18th May).*

Paget, L., Auckland, New Zealand; water-heater; 29391, 11th April; (65, 10th August).*

Palatine Engineering Company, Limited, and others, Liverpool, England; filtering-apparatus; 29755, 20th June.

Papalexi, N., and another (see Gesellschaft fur Drahtlose Telegraphie m.b.H., No. 29525).

Park, T., Kapuni, New Zealand; acetylene-generator; 27567, 18th April, 1910; (37, 4th May)*; (37, 4th May).

Parker, A. H. J., Christchurch, New Zealand; music-leaf turner; 29443, 25th April; (46, 1st June).*

Parrington, C. L., South Yarra, Victoria; drawing-board, &c.; 29693, 7th June; (58, 13th July).*

Parry, H. T., Christchurch, New Zealand; motor-belt transmission; 29278, 15th March; (42, 18th May).*

Paterson, W. J., and another, Hamilton, New Zealand; milk-releaser; 29539, 12th May; (50, 15th June).*

Payne, A. E., and another, London, England; electric-circuit current-regulator; 29609, 9th June, 1910†; (58, 13th July).

Payne, F. W., Dunedin, New Zealand; time-limit lock; 29610, 24th May; (53, 29th June).*

Pearl, C. H., and others, Launceston, Tasmania; fruit-picking bag; 29553, 12th August, 1910†; (65, 10th August).

Penney, G. W., Gore, New Zealand; fencing-dropper; 28908, 17th December, 1910; (28, 6th April).*

Penney, G. W., Gore, New Zealand; implement, &c., clasp fitting; 29488, 1st May; (53, 29th June).*

Perkin, W. H., and others, Manchester, England; manufacture of dihalogen derivatives of paraffin hydrocarbons; 29627, 30th May; (62, 27th July).

Petaluma Incubator Company, Petaluma, United States America; incubator; (L. C. Byce); 29079, 1st February; (42, 18th May).

Peters, H. A., Vancouver, B.C.; sink-outlet strainer; 29751, 20th June; (65, 10th August).

Phelps, W. E., Invercargill, New Zealand; gate-fastener; 29454, 27th April; (42, 18th May).*

Phillips, E., Melbourne, Victoria; machine time-recorder; (National Machine Recorder Company); 29717, 13th June.

Phillips, P., Wellington, New Zealand; billiard-table cushion; 29620, 29th May; (58, 13th July).*

Phillips, P. F., Auckland, New Zealand; dental-gold casting; 29355, 30th March; (42, 18th May).*

Pierce, J., Dunedin, New Zealand; kitchen range; 29424, 21st April; (46, 1st June).*

Pilling, G., Oamaru, New Zealand; hinging lid to box; 29615, 27th May; (53, 29th June).*

Pinches, W., Auckland, New Zealand (see W. T. G. Pinches, No. 28074).

Pinches, W. T. G., Auckland, New Zealand; building-construction; (W. Pinches); 28074, 13th June, 1910; (53, 29th June).

Pirani, S. G., Melbourne, Victoria; tire-cover; (C. Marriott); 29513, 5th May; (46, 1st June).*

Pitts, R. G., and another; Mortlake, Victoria; window anti-rattler; 29343, 29th March; (42, 18th May).*

Plant, T. G., Boston, United States America (see United Shoe Machinery Company, No. 29763).

Player, C. E., Auckland, New Zealand; gate-fastener; 29487, 29th April; (50, 15th June).*

Player, C. E., Auckland, New Zealand; gate and door fastener; 29510; 5th May; (50, 15th June).*

APPLICANTS FOR LETTERS PATENT—*continued.*

Player, C. E., Auckland, New Zealand; mat-slipping prevention; 29550, 15th May.

Pocock, A. C., Hamilton, New Zealand; milk-releaser; 29598, 22nd May; (53, 29th June).*

Porter, G., Dunedin, New Zealand; fire-alarm; 29512, 4th March; (53, 29th June).*

Potts, T. W., Dunedin, New Zealand; trolley-pole controller; 29359, 3rd April; (33, 20th April).*

Potts, W. E., and another, Gore, New Zealand; kerosene-pump tin-piercer; 29554, 17th May.

Powell, G. M., Charlestown, New Zealand; pile-sinking; 29346, 30th March; (42, 18th May).*

Powell, J. C., Timaru, New Zealand; window-show stand; 29537, 10th May.

Preston, J. S., Sydney, New South Wales; vapourizer for hydrocarbon burner; 29655, 25th July, 1910†; (65, 27th July).

Preston, J. C., Sydney, New South Wales; vapourizer for hydrocarbon burner; 29655, 25th August, 1910.

Quertier, H., Wellington; electric-message transmission; 27973, 25th June, 1910; (46, 1st June).

Rasmussen, J., and another, Randers, Denmark (see L. V. Marcker and S. J. V. Hansen, No. 29563).

Raymond, F. V., Invercargill, New Zealand; flax-dressing machine; 29347, 30th March; (42, 18th May).*

Raymond, F. V., Invercargill, New Zealand; paint, &c., manufacture; 29742, 19th June; (62, 27th July).*

Raymond, F. V., Invercargill, New Zealand; flax-waste product treatment; 29413, 19th April; (42, 18th May).*

Raymond, F. V., and others, Foxton, New Zealand; flax-treating machine; 29452, 27th April; (42, 18th May).*

Raymond, F. V., Foxton, New Zealand; hair, fibre, &c., dye; 29569, 19th May; (50, 15th June).*

Raymond, F. V., Foxton, New Zealand; medicine and ointment; 29570, 19th May; (50, 15th June).*

Raymond, F. V., Foxton, New Zealand; polishing sheet and board; 29571, 19th May; (50, 15th June).*

Raymond, F. V., Foxton, New Zealand; leather, furniture, &c., polish; 29572, 19th May; (50, 15th June).*

Raymond, F. V., Foxton, New Zealand; metal, furniture, &c., polish; 29573, 19th May; (50, 15th June).*

Raymond, F. V., Invercargill, New Zealand; metal, plate, &c., polish; 29613, 26th May; (58, 13th July).*

Raymond, F. V., Invercargill, New Zealand; fibre-treating apparatus; 29663, 2nd June; (58, 13th July).*

Raymond, F. V., Invercargill, New Zealand; flax-dressing; 29719, 14th June; (58, 13th July).*

Rayward, H. H., and another, Wellington, New Zealand; dress-forms; (Kearns Manufacturing Company—J. Rea); 29595, 23rd May; (53, 29th June).

Rea, J., Philadelphia, United States America (see E. S. Baldwin and H. H. Rayward, No. 29595).

Reeves, W., Masterton, New Zealand; vehicle-wheel construction; 29365, 4th April; (42, 18th May).*

Reeves, W., Henderson, New Zealand; swingle tree; 29531, 12th May; (46, 1st June).*

Reid, A. W., Stratford, New Zealand; teat-cup; 29428, 25th April; (46, 1st June).*

Reid, R., and others, Chidlow's Well, Western Australia; spark-arrester; 29715, 13th June; (58, 13th July).

Riedel, J. D., Aktiengesellschaft, Berlin, Germany; zedlites, &c., manufacture; (Gans, R.); 29743, 20th June.

Riedel, J. D., Aktiengesellschaft, Berlin, Germany; water-softening; (Gans, R.); 29744, 20th June).

Richardson, T., Alexandra, New Zealand; hat-shade, or veil; 29501, 2nd May; (46, 1st June).

Richardson, T., Alexandra, New Zealand; skein-winder; 29502, 2nd May; (72, 7th September).

Riddiford, E. J., and others, Lower Hutt, New Zealand; electric alarm; 27713, 11th May, 1910; (42, 18th May).

Ridley, W. H. J., Penrose, New Zealand; furnace; 28465, 19th September, 1910; (53, 29th June).

Ridley, W. H. J., Penrose, New Zealand; heat-generator; 29694, 6th June; (53, 29th June).*

Riley, A. H., Ponsonby, New Zealand; billy-can, &c.; 29340, 29th March; (42, 18th May).*

Roberts, A. H., Melbourne, Victoria; pneumatic-tire detachable rim; 29523; 10th May; (50, 15th June).

Roberts, W. L., Toko, New Zealand; drain-cleaner; 29493, 3rd May; (46, 1st June).*

Robertson, A. B., and another, New Plymouth, New Zealand; motor and pump for elevating milk, &c.; 29492, 29th April; (46, 1st June).*

Robertson, J. B., Wellington, New Zealand; lifeboat-lowering tackle; 29619, 29th May; (58, 13th July).*

Robertson, R. W. D., New Plymouth, New Zealand; teat-cup; 29422, 21st April; (46, 1st June).*

APPLICANTS FOR LETTERS PATENT—*continued.*

Robinson, K. E., Maryborough, Victoria; mineral disintegrator; (W. Robinson); 29395, 12th April; (58, 13th July).

Robinson, P., and another, Foxton, New Zealand; flax-tail clipper; 29481, 8th May; (46, 1st June).*

Robinson, W., Maryborough, Victoria (see K. E. Robinson, No. 29395).

Rodway, J. I., and another, Johannesburg, Transvaal; tire-inflating; 29026, 28th February, 1910†; (46, 1st June).

Rooke, F. W., and another; Hawthorn, Victoria; hairpin; 29442, 26th April.

Ross, H. I. M., Dunedin, New Zealand; ventilator; 28699, 3rd November, 1910; (37, 4th May).

Roth, J. A., Sydney, New South Wales; blouse, &c., holder and shirt support; 29746, 1st February†; (62, 27th July).

Rough, J. E., and others, Foxton, New Zealand; flax-treating machine; 29452, 27th April; (42, 18th May).*

Routley, J., and another, Wellington, New Zealand; label, &c., making machine; 29401, 13th April; (42, 18th May).*

Routley, M., and another, Wellington, New Zealand; label, &c., making machine; 29401, 13th April; (42, 18th May).*

Rowe, J. M., Rangiora, New Zealand; street-channel bridge; 29582, 20th May; (58, 13th July).*

Russell, J. C., Pittsburg, United States America; rails, &c., treating; 29771, 23rd June; (69, 24th August).

Salomon, N., and others, London, England; metal-cleaning; 29680, 6th June; (58, 13th July).

Sander, E. G., and another, Westport, New Zealand; corrugated-iron; 27783, 24th May, 1910; (50, 15th June).

Sander, G., and another, Westport, New Zealand; tire-inflator; 29494, 2nd May.

Sanderson, C. J., Auckland, New Zealand; gold-saving; 29472, 28th April; (50, 15th June).*

Sanderson, C. J., Auckland, New Zealand; plant-protector; 29473, 28th April.

Scammell, J. B., London, England (see J. T. Hunter, No. 29418).

Schulze, H. H. C., Alton, New Zealand; liquid-manure distributor; 28080, 15th July, 1910; (37, 4th May).

Scott Bros., Limited, Christchurch, New Zealand; gas-production; (J. L. and G. Scott); 29197, 28th February; (53, 29th June).

Scott, G., and another, Christchurch, New Zealand (see Scott Bros., Limited, No. 29197).

Scott, J. D., New York, United States America; hydrocarbonaceous substance treating; 29491, 1st May; (50, 15th June).

Scott, J. L., and another, Christchurch, New Zealand (see Scott Bros., Limited, No. 29197).

Scott, W., and another, Christchurch, New Zealand; match-lining cramp; 28049, 9th July, 1910; (46, 1st June).

Scott, W., Christchurch, New Zealand; wire-strainer; 29705, 9th June; (62, 27th July).

Scott, W., Christchurch, New Zealand; wire-strainer; 29729, 15th June.

Searrell, H. A., Christchurch, New Zealand; cyclist's hand-protector; 29734, 15th June.

Sharpe, J., Glebe, New South Wales; delivering liquids; 27748, 18th May; (46, 1st June).

Sharples, W. J., and another, Gisborne, New Zealand; extension table; 29536, 9th May; (62, 27th July).

Shaw (see Hele-Shaw).

Shepperson, R. E., Enterprise, Queensland; teat-cup; 29416, 20th April; (46, 1st June).

Sherwood-King, H. F., Dunedin, New Zealand; screw-nail; 29701, 7th June; (62, 27th July).*

Sherwood-King, H. F., Dunedin, New Zealand; cue-tip; 29578, 18th May; (50, 15th June).*

Sherwood-King, H. F., Dunedin, New Zealand; fastening device for cloth, &c.; 29602, 23rd May; (72, 7th September).*

Shield, E. R., Hobart, Tasmania; fruit-grader; 28447, 15th September, 1910; (37, 4th May).

Shone, I., London, England; sewerage system; 29439, 30th April, 1910†; (42, 18th May).

Shredded Wheat Company, Niagara Falls, United States America; biscuit; (E. L. Wallace); 29775, 24th June; (69, 24th August).

Simpson, R. M., Wellington, New Zealand; centrifugal separator; 29534, 12th May; (53, 29th June).*

Sinton, W., Auckland, New Zealand; sash-cord fastener; 29777, 24th June; (62, 27th July).*

Skene, D. A., and another, Melbourne, Victoria; stopping railway trains; 28780, 23rd November, 1910; (42, 18th May).

Skuse, J., Naremburn, New South Wales; boot-toe block; 29675, 1st June; (58, 13th July).*

APPLICANTS FOR LETTERS PATENT—*continued.*

Small, G. M., and another, Christchurch, New Zealand; 29664, 1st June; (65, 10th August).

Smith, F. S., and another, Te Hopai, New Zealand; flax-treating apparatus; 29399, 13th April; (42, 18th May).

Smith, J. C., and another, New Plymouth, New Zealand; metal-extraction; 29685, 6th June; (53, 29th June).*

Smith, J. D., Sydney, New South Wales; scaffolding-hanger; 29762, 21st June; (69, 24th August).*

Somerville, W., Bellevue, Victoria (see W. A. Fraser, No. 29518).

Sorenson, V., Port Awanui, New Zealand; circular saw; 29666, 2nd June; (69, 24th August).*

Sparks, W. J., Weston, New Zealand; spreader-chain attachment; 29469, 1st May; (50, 15th June).*

Spiller, F. S., and others, London, England; vehicle-wheel; 29682, 8th June, 1910.†

Stanbridge, H., Sheffield, England (see J. A. Hill, No. 29363).

Stapelheldt, O. H., Melbourne, Victoria; gas-lamp; (J. Hirschhorn—D. B. Houghton); 27752, 18th May, 1910; (46, 1st June).

Stapelheldt, O. H., Melbourne, Victoria; gas-lamp; (J. Hirschhorn—D. B. Houghton); 27753, 18th May, 1910 (46, 1st June).

Stephenson, W. A., Waikino, New Zealand; lead-headed nails; 28250, 12th August, 1910; (50, 15th June).

Stern, G., and others, Mannheim, Germany (see E. N. Waters, Nos. 29147 and 27148).

Stewart, D. O., and another, Wanganui, New Zealand; milking-machine releaser; 29612, 26th May; (53, 29th June).*

Strange, E. H., and others, London, England; manufacture of dihalogen derivatives of paraffin hydrocarbons; 29627, 30th May; (62, 27th July).

Strawbridge, E. L., Palmerston North, New Zealand; gate-hinge; 29431, 25th April; (42, 18th May).

Stock, W. F. K., Darlington, England; fertilizer, &c.; 29410, 29th April, 1910†; (42, 18th May).

Stone, E. G., Warrington, New South Wales; storage-chamber; 29460, 28th April; (42, 18th May).*

Storrie, A., Invercargill, New Zealand; milking-machine; 29302, 18th March; (46, 1st June).

Strange, E. H., and others, London, England; manufacture of dihalogen derivatives of paraffin hydrocarbons; 29627, 30th May; (62, 27th July).

Stubbs, F., Auckland, New Zealand; flushing-apparatus; 28751, 16th November, 1910; (42, 18th May).

Stubbs, F., Auckland, New Zealand; flushing-apparatus 29280, 18th March; (42, 18th May).

Sullivan Fireproof Wall and Partition Company of Canada, Limited, Vancouver, B.C.; partition-block mould; (J. D. Sullivan); 28566, 11th October, 1910; (33, 20th April).

Sullivan, J. D., Salt Lake, United States America (see Sullivan Fireproof Wall and Partition Company, No. 28566).

Sutton, F., Coalgate, New Zealand; wire-coiler, &c.; 28136, 23rd July, 1910; (46, 1st June).

Swan, H., and another; Dunedin, New Zealand; gold-saving; 29337, 29th March; (42, 18th May).*

Sykes, W. R., Interlocking Signal Company, Limited, and others, London, England; railway-signalling; 29437, 26th April; (42, 18th May).

Sykes, W. R., Interlocking Signal Company, Limited, and others, London, England; railway-rail contact; 29594, 23rd May; (58, 13th July).

Sykes, J. C., and others, London, England; railway-rail contact; 29594, 23rd May; (58, 13th July).

Sykes, W. R., and others, London, England; railway-signalling; 29437, 26th April; (42, 18th May).

Symington, S., Invercargill, New Zealand; electric-line section-insulator; 29503, 2nd May; (50, 15th June).*

Tait, A. L. J., Dunedin, New Zealand; flax-treatment; 27543, 9th April, 1910; (33, 20th April).

Tanner, F., Sydney, New South Wales; marine-engine racing-prevention; 29275, 24th November, 1910†; (53, 29th June).

Tapp, O., Palmerston North, New Zealand; vacuum-pump; 27879, 10th June, 1910; (33, 20th April).

Tarrant, R. W., and others, London, England; railway-signalling; 29437, 26th April; (42, 18th May).

Tarrant, R. W., and others, London, England; railway-rail contact; 29594, 23rd May; (58, 13th July).

Tatham, J. E., Sydney, New South Wales; cinematographic film combustion-prevention; 29158, 24th February, 1910†; (46, 1st June).

Taylor, H. J. C., Watson's Bay, New South Wales (see Auto Road Chart, Limited, No. 29451).

Taylor, J., Christchurch, New Zealand; rail, and sash-raiser; 29293, 20th March; (42, 18th May).*

APPLICANTS FOR LETTERS PATENT—*continued.*

Taylor, T., Herberville, New Zealand; hurdle; 28070, 14th July, 1910; (37, 4th May).

Taylor, T. M., and another, Jimbour, Queensland; stirrup-leather release; 27948, 23rd June, 1910; (46, 1st June).

Thomas, G. C., Liscard, England; cinematographic photograph, &c.; 29754, 20th June; (69, 24th August).

Thomas, J. H., and another, Adelaide, South Australia; saddle; 28377, 2nd September, 1910; (46, 1st June).

Thompson, C. E., jun., and another, Braeburn, New Zealand; case and filler; 29316, 23rd March; (42, 18th May).

Thompson, H., and another, Temuka, New Zealand; oven-slide holder and stand; 27709, 7th May, 1910; (42, 18th May).

Thompson, J. W., Rockhampton, Queensland; butter-cutter; 29765, 23rd June; (75, 21st September).*

Thomson, C. J. H., Milton, New Zealand; flax-catcher; 29686, 5th June; (58, 13th July).*

Thorpe, H. M., and another, Ngaruawahia, New Zealand; milk-can lid; 29708, 12th June; (62, 27th July).*

Tilburn, A. E., St. Kilda, Victoria; boot-polishing brush, &c.; 29162, 23rd February; (42, 18th May).

Timperley, W., Wellington, New Zealand; calendar, &c.; 29778, 24th June.

Timperley, W., Wellington, New Zealand; cash-tray; 29779, 24th June.

Tinline, W. J., Hastings, New Zealand; clipping-machine comb and cutter sharpener; 28099, 18th July, 1910; (37, 4th May).

Tomkies, A. G., Westport, New Zealand; attaching, &c., blinds to rollers; 29660, 29th May.

Toon, C., Christchurch, New Zealand; gas-main-closing apparatus; 29532, 12th May; (50, 15th June).*

Tong, J. W., Hawera, New Zealand; wheelbarrow; 29326, 27th March; (46, 18th May).*

Townley, J., and another; Gisborne, New Zealand; extension table; 29536, 9th May; (62, 27th July).

Trapski, J., Wyndham, New Zealand; plough; 28218, 8th August, 1910; (42, 18th May).

Treloar, J., Hamilton, New Zealand; milking-machine releaser; 29426, 22nd April; (46, 1st June).*

Treloar, J., Hamilton, New Zealand; milking-machine release; 29764, 20th June; (69, 24th August).

Trent, M. A., Christchurch, New Zealand; coffee, &c., urn; 29704, 9th June (58, 13th July).*

Trifonoff, A., and another, St. Petersburg, Russia; ore-treatment; 29797, 27th June; (69, 24th August).

Trist, J. W., and another, Christchurch, New Zealand; horse-hobble; 29664, 1st June; (65, 10th August).

Turnbull, T. O., Kinohaku, New Zealand; envelope; 29351, 29th March; (42, 18th May).*

Turnbull, W., Wellington, New Zealand; flushing-apparatus; 29600, 24th May; (53, 29th June).

Tweedale, W., and another, New Plymouth, New Zealand; metal-extraction; 29685, 6th June; (53, 29th June).*

Tyler, G. E., and another; Rangitaua, New Zealand; door-stop; 29668, 2nd June; (62, 27th July).*

Uddstrom, C., Greymouth, New Zealand; saw-bench return-feed; 28258, 10th August, 1910; (53, 29th June).

United Shoe Machinery Company, Paterson, United States America; block for clicking-operations; (J. B. Gilbert); 29603, 25th May; (53, 29th June).*

United Shoe Machinery Company, Paterson, United States America; lasting and tacking machine; (A. Bates and A. Caselton); 29604, 25th May; (53, 29th June).*

United Shoe Machinery Company, Paterson, United States America; tack-pulling, &c., machine; (F. L. MacKenzie and J. B. Hadaway); 29691, 7th June; (53, 29th June).*

United Shoe Machinery Company, Paterson, United States America; tack-pulling machine; (J. B. Hadaway); 27641, 27th April, 1910; (33, 20th April).

United Shoe Machinery Company, Paterson, United States America; shoe-sewing machine; (A. Eppler); 28109, 19th July, 1910; (46, 1st June).

United Shoe Machinery Company, Paterson, United States America; channel-guide mechanism; (E. E. Winkley and A. Eppler); 28110, 19th July, 1910; (37, 4th May).

United Shoe Machinery Company, Paterson, United States America; tension-device; (W. C. Meyer and C. P. Holmes); 28111, 19th July, 1910; (46, 1st June).

United Shoe Machinery Company, Paterson, United States America; leather-cutter; (J. B. Hadaway); 28112, 19th July, 1910; (46, 1st June).

United Shoe Machinery Company, Paterson, United States America; boot and shoe machine; (W. H. Borden); 28278, 17th August, 1910; (50, 15th June).

United Shoe Machinery Company, Paterson, United States America; machine for inserting fastenings; (Thomas Briggs); 28279, 17th August, 1910; (50, 15th June).

APPLICANTS FOR LETTERS PATENT—*continued.*

United Shoe Machinery Company, Paterson, United States America; sole-levelling machine; (A. Bates, J. Gouldsbourn, and E. A. Cridland); 28280, 17th August, 1910; (50, 15th June).

United Shoe Machinery Company, Paterson, United States America; shuttle-tension device; (J. L. Dow); 28124, 21st July, 1910; (37, 4th May).

United Shoe Machinery Company, Paterson, United States America; lasting-machine; (E. E. Winkley); 28282, 17th August, 1910; (50, 15th June).

United Shoe Machinery Company, Paterson, United States America; insole-forming machine; (A. E. Johnson); 29344, 29th March; (42, 18th May).*

United Shoe Machinery Company, Paterson, United States America; boot and shoe machine; (O. Ashton); 29388, 11th April; (42, 18th May).*

United Shoe Machinery Company, Paterson, United States America; stock surplus material removing machine; (R. McFeely); 29415, 20th April; (42, 18th May).*

United Shoe Machinery Company, Paterson, United States America; boot and shoe manufacture; (T. Lund); 29449, 27th April; (42, 18th May).*

United Shoe Machinery Company, Paterson, United States America; sewing-machine; (F. Ashworth); 29748, 20th June; (75, 21st September).*

United Shoe Machinery Company, Paterson, United States America; sewing-machine; (T. G. Plant); 29763, 21st June; (69, 24th August).

Upchurch, J., Hunterville, New Zealand; bench-vice; 29786, 26th June; (65, 10th August).

Vaile, E. B., Auckland, New Zealand; door-knobs securing; 29402, 13th April; (46, 1st June).*

Van Wart, I. R., London, England; cattle-branding instrument; 29411, 19th April; (42, 18th May).

Varnham, M. R., Masterton, New Zealand; casement-window, &c., fastener; 29614, 27th May; (53, 29th June).

Vasey, S. A., Bromley, England; soluble protein, &c.; 29364, 11th April, 1910; (69, 24th August).

Vincent, A., and another, Sydney, New South Wales (see Muir-Vincent Smoke Consumer and Fuel Economizer Company, Limited, No. 29498).

Von Arco, G., Berlin, Germany (see Gesellschaft für Drahtlose Telegraphie m.b.H., No. 29524).

Walker, A., and another, Dunedin, New Zealand; boiler and washer; 29769, 21st June; (62, 27th July).*

Walker, J. A., Devonport, New Zealand; window-sash-cord attaching; 29506, 3rd May; (50, 15th June).*

Walker, J. A., Devonport, New Zealand; closet-pan cover; 29538, 11th May; (50, 15th June).*

Walker, J. A., Devonport, New Zealand; sash-frame; 29697, 5th June; (58, 13th July).*

Wallace, E. L., Niagara Falls, Canada (see Shredded Wheat Company, No. 29775).

Wallace, P., and another, Sydney, New South Wales; go-cart undercarriage; 29650, 1st June; (53, 29th June).

Wallace, T., and another, Sydney, New South Wales; go-cart undercarriage; 29650, 1st June; (53, 29th June).

Walton, T., and another, Manchester, England; tool; 28663, 2nd November, 1910; (42, 18th May).

Wanklyn, E., and another, Foxton, New Zealand; flax-tail clipper; 29481, 8th May; (46, 1st June).*

Wart (see Van Wart).

Waters, E. N., Melbourne, Victoria; ammonia, &c., manufacture; (Badische Anilin and Soda Fabrik—C. Bosch, A. Mittasch, H. Wolf, and G. Stern); 29147, 15th February; (53, 29th June).

Waters, E. N., Melbourne, Victoria; ammonia, &c., manufacture; (Badische Anilin and Soda Fabrik—C. Bosch, A. Mittasch, H. Wolf, and G. Stern); 29148, 15th February; (53, 29th June).

Watkins, L. T., Wellington, New Zealand (see Watkins, Tyer, and Tolan, Limited, No. 29417).

Watkins, Tyer, and Tolan, Limited, Wellington, New Zealand; postal, &c., wrapper; (L. T. Watkins); 29417, 20th April; (50, 15th June).*

Watkinson, J., and another, London, England; electric-circuit current-regulation; 29609, 9th June, 1910; (58, 13th July).

Watson, A. P. F., and another, Christchurch, New Zealand; fence-standard; 29712, 12th June; (58, 13th July).*

Watson, G. D., and another, Christchurch, New Zealand; fence-standard; 29712, 12th June; (58, 13th July).*

Watson, C. J., Dunedin, New Zealand; delivery-book, &c.; 29405, 12th April.

Waugh, R. M., and another, Elsternwick, Victoria; turbine-rotor; 29586, 19th May; (65, 10th August).

APPLICANTS FOR LETTERS PATENT—continued.

Way, E. J., and another, Johannesburg, Transvaal; ore-treating apparatus; 29380, 7th April; (50, 15th June).
 Wearn, J. S., Christchurch, New Zealand; tramcar-rail attachment; 29294, 20th March; (42, 18th May).
 Wells, H. W. H., and another, Auckland, New Zealand; advertising-medium; 29671, 2nd June; (58, 13th July).
 Werner, A., Doyleston, New Zealand; threshing-machine sheaf-elevator; 29289, 20th March; (42, 18th May).
 Westendorf, G. O., Winiam, Victoria; disc plough, &c.; 29747, 20th June; (65, 10th August).
 Westinghouse, G., Pittsburg, United States America; power-transmission mechanism; 29545, 16th May; (53, 29th June).
 Whall, J., Darfield, New Zealand; vehicle-jack; 27487, 31st March, 1910; (33, 20th April).
 White, A., Waiareka Junction, New Zealand; egg-tester, &c.; 29386, 7th April; (42, 18th May).
 White, S., Mangatoki, New Zealand; brush; 29505, 4th May.
 Whitaker, C. G., and another, Christchurch, New Zealand; milking-machine releaser; 29735, 17th June; (69, 24th August).
 Whitham, B., Lyttelton, New Zealand; lifebuoy attaching to ship's rails; 29630, 29th May.
 Whitney, A. N., Auckland, New Zealand; rifle range, &c.; 28943, 4th January; (42, 18th May).
 Whittell, H. R. M., Sydney, New South Wales (see C. Christie, No. 29042).
 Whittome, J. T., Tavistock, England; road-sweeping machine; 29457, 28th April; (46, 1st June).
 Wild, C. W., Woodville, New Zealand; cistern-flusher; 29589, 23rd May; (53, 29th June).
 Wilkins, J. E., and another, Rangitaua, New Zealand; door-stop; 29668, 2nd June; (62, 27th July).
 Wilks, J. A., Kent, England (see Bevan Lock Nut Company, Limited, No. 29544).
 Williams, E. A., Kaitoke, New Zealand; wool-rack; 29776, 24th June; (62, 27th July).
 Williden, H. P., Dunedin, New Zealand; revolving-surface carburettor; 29421, 19th April; (50, 15th June).
 Wilson, J., Auckland, New Zealand; concrete surrounds for windows, &c.; 29702, 9th June; (65, 10th August).
 Wilson, J., Auckland, New Zealand; concrete structure; 29526, 16th June; (58, 13th July).
 Wilson, W. D., Auckland, New Zealand; wall-tie; 29725, 13th June; (65, 10th August).
 Winkley, E. E., Lynn, United States America (see United Shoe Machinery Company, Nos. 28110 and 28282).
 Wolf, H., and others, Ludwigshafen-on-Rhine, Germany (see E. N. Waters, Nos. 29147 and 29148).
 Woodford, E. C., and another, Christchurch, New Zealand; milking-machine pulsator; 29658, 1st June; (62, 27th July).
 Woolnough, A., Dunedin, New Zealand; metal sash-bar jointing; (F. H. Crittall); 29436, 26th April.
 Worthington, H. L., Paterson, New South Wales; ship's hawser rat-trap; 29635, 30th May; (53, 29th June).
 Wright, A. H., Newmarket, Auckland, New Zealand; water heater and generator; 29549, 13th May; (58, 13th July).
 Wright, A. H., Newmarket, Auckland, New Zealand; water-heater, &c.; 29640, 29th May; (62, 27th July).
 Wright, A. H., Newmarket, Auckland, New Zealand; advertisement-display regulator; 29670, 1st June; (53, 29th June).
 Wright, A. H., and another, Dunedin, New Zealand; stamping, &c., machine; 28013, 29th June, 1909†; (42, 18th May).
 Wright, A. H., and another, Auckland, New Zealand; advertising-medium; 29671, 2nd June; (58, 13th July).
 Wright, E. L., Brisbane, Queensland; roofing-tile; 29799, 30th June; (65, 10th August).
 Yeates, J. D., Bairnsdale, Victoria; picker's bag; 29374, 6th April; (42, 18th May).
 Young, A. E., and another, Christchurch, New Zealand; lawn-mower attachment; 28910, 19th December, 1910; (37, 4th May).
 Young, A. E., and another, Christchurch, New Zealand; envelope-sealing; 29519, 9th May; (53, 29th June); 69, 24th August).
 Young, A. E., Christchurch, New Zealand; newspaper folder and wrapper; 29574, 17th May; (50, 15th June).
 Young, C. E., Feilding, New Zealand; telephone-disinfector; 29314, 23rd March; (42, 18th May).
 Young, G., Dunedin, New Zealand; dancing toy; 29576, 16th May.
 Young, S. W., Palo Alto, United States America (see Globe Chemical Works, No. 29690).
 Ziele, W. S., Christchurch, New Zealand; collapsible-tube outlet, &c.; 29599, 23rd May; (53, 29th June).

Alphabetical List of Inventions for Quarter ended 30th June, 1911.

THIS list includes also (1) applications lodged prior to but gazetted during the quarter, (2) complete specifications following provisional specifications accepted or gazetted during the quarter. The first number and date are those of the application; the number and date following in parentheses refer to the *Gazette* containing the notification of acceptance. Where the number and date of the *Gazette* are omitted, the application has not yet been accepted.

* Denotes a provisional specification. † Denotes a prior date under the International and Intercolonial Arrangements.
 Acetylene-gas generator; B. H. B. Bishop and E. J. M. Miller; 29183, 27th February; (46, 1st June).
 Acetylene-gas generator; T. Park; 27567, 18th April, 1910; (37, 4th May).
 Acetylene-gas generator; T. Park; 27567, 18th April, 1910; (37, 4th May).
 Acetylene-gas generator and lamp; W. Lewis; 29706, 10th June; (58, 13th July).
 Account form, &c.; N. C. Marshall; 29718, 10th June; (62, 27th July).
 Advertisement-display regulator; A. H. Wright; 29670, 1st June; (53, 29th June).
 Advertising-medium; A. H. Wright and H. W. H. Wells; 29671, 2nd June; (58, 13th July).
 Advertising on paper rolls; J. E. Ffrost; 29616, 27th May.
 Aeration of liquids; A. J. Billows; 29591, 23rd May; (58, 13th July).
 Aerial railway; W. L. Hamilton; 29726, 13th January, 1910†; (58, 13th July).
 Aeroplane; R. E. N. Matthews; 29676, 1st June; (53, 29th June).
 Agricultural implement, concave roller and scraper; G. Gray; 27888, 11th June, 1910; (37, 4th May).
 Agricultural implement (see also Plough).
 Air, drawing from vessels; W. J. Francis; 29672, 2nd June.
 Air-pump admission and delivery valve; B. G. A. Harkness; 29665, 2nd June; (58, 13th July).
 Alarm (see Fire-alarm).
 Albumen-production (see Protein or albumen production).
 Almanac (see Calendar, &c.).
 Ammeter and voltmeter; H. Luks; 29484, 2nd May; (46, 1st June).
 Ammonia and catalytic agent manufacture; E. N. Waters; 29147, 15th February; (53, 29th June).
 Ammonia and catalytic agent manufacture; E. N. Waters; 29148, 15th February; (53, 29th June).
 Animal-brand; P. Coyne; 29277, 16th March; (42, 18th May).
 Animal-rug, securing; W. A. Fraser; 29409, 19th April; (42, 18th May); 46, 1st June).
 Animal-trap peg (see Peg, &c.).
 Animals, rearing, &c., preventing; F. Gutschlag; 29760, 19th June.
 Axle-oiler; R. Handcock; 29669; 2nd June.
 Bag (see Clothes-peg bag, Feeding-bag).
 Bag, fruit-picking; J. and W. Fotheringham and C. H. Pearl; 29553, 12th August, 1910†; (65, 10th August).
 Bag, pickers' and packers'; J. D. Yeates; 29374, 6th April; (42, 18th May).
 Bail (see Cow-bail).
 Basket (see Clothes-basket).
 Batten (see Fence-batten).
 Bearing (see Roller-bearing).
 Beehive; A. J. D'Arcy; 29721, 14th June; (58, 13th July).
 Belt-transmission; H. T. Parry; 29278, 15th March; (42, 18th May).
 Belting, machinery; R. T. Grooby; 29800, 30th June; (69, 24th August).
 Belting, rubber, jointing; J. C. and H. H. Burton; 29495, 4th May; (58, 13th July).
 Bench (see Saw-bench).
 Bench-vice; J. Upchurch; 29786, 26th June; (65, 10th August).
 Bicycle (see Cycle).
 Billiard-cue tip; H. F. Sherwood-King; 29578, 18th May; (50, 15th June).
 Billiard-table cushion; P. Phillips; 29620, 29th May; (58, 13th July).
 Billiard-table lowering, &c.; H. J. McGill; 29648, 30th May; (65, 10th August).
 Billy-can and tea-infuser; A. H. Riley; 29340, 29th March; (42, 18th May).
 Bin (see Dust-bin).
 Bird-trap; J. H. Clarke; 29673, 5th June; (58, 13th July).
 Biscuit; The Shredded Wheat Company; 29775, 24th June; (69, 24th August).

ALPHABETICAL LIST OF INVENTIONS—*continued.*

Blight-destroyer (see Potato-blight destroyer).
 Blind (see also Sun-blind, Venetian-blind).
 Blind, attaching to roller, &c.; A. G. Tomkies; 29660, 29th May.
 Block (see Boot-clicking block or table, Building-block, Partition-block).
 Blouse, bodice, &c., fastening; G. Bouvier; 29749, 27th June, 1910†; (62, 27th July).
 Blouse or waist holder, &c.; J. A. Roth; 29746, 1st February†; (62, 27th July).
 Board (see Building-stud, &c., Drawing-board).
 Boat (see Lifeboat).
 Boiler and washer; M. W. Marriage and A. Walker; 29769, 21st June; (62, 27th July).*
 Boiler-furnace; The Muir-Vincent Smoke Consumer and Fuel Economizer Company, Limited; 29498, 4th May; (53, 29th June).
 Boiler-tubes, scaling; W. H. Cheyne and G. R. Mewburn; 29440, 26th April; (42, 18th May).
 Book (see Delivery-book, Note-book).
 Boot (see also Hock-boot).
 Boot; S. Levy; 29723, 14th June.
 Boot cleaning and lacing stand; W. Morton; 29551, 13th May; (50, 15th June).*
 Boot-clicking block or table; United Shoe Machinery Company; 29603, 25th May; (53, 29th June).*
 Boot warming, drying, or lasting; W. Lewis; 29001, 17th January; (46, 1st June).
 Boot-machine; United Shoe Machinery Company; 29388, 11th April; (42, 18th May).*
 Boot-manufacture; United Shoe Machinery Company; 28278, 17th August, 1910; (50, 15th June).
 Boot-manufacture; United Shoe Machinery Company; 29449, 27th April; (42, 18th May).*
 Boot-machine fastening-inserter; United Shoe Machinery Company; 28279, 17th August, 1910; (50, 15th June).
 Boot-machine, lasting, &c.; United Shoe Machinery Company; 28282, 17th August, 1910; (50, 15th June).
 Boot-machine, lasting and tacking; United Shoe Machinery Company; 29604, 25th May; (53, 29th June).*
 Boot-machine, leather-cutter; United Shoe Machinery Company; 28112, 19th July, 1910; (46, 1st June).
 Boot-machine, sole-levelling; United Shoe Machinery Company; 28280, 17th August, 1910; (50, 15th June).
 Boot-manufacture, stock surplus material removing machine; United Shoe Machinery Company; 29415, 20th April; (42, 18th May).*
 Boot-heel grip; R. H. Gulleford; 29012, 18th January; (42, 18th May).
 Boot-insole former; United Shoe Machinery Company; 29344, 29th March; (42, 18th May).*
 Boot-polish (see Polish, &c.).
 Boot-polish, &c., tin; H. J. Elliott; 29357, 1st April; (42, 18th May).*
 Boot-polishing brush, pad, &c. (see Brush, &c., supplying fluid to).
 Boot-toe block; J. Skuse; 29675, 1st June; (58, 13th July).*
 Boot-sewing machine; United Shoe Machinery Company; 29763, 21st June; (69, 24th August).
 Boot-sewing machine; United Shoe Machinery Company; 28109, 19th July, 1910; (46, 1st June).
 Boot-sewing machine; United Shoe Machinery Company; 29748, 20th June; (75, 21st September).*
 Boot-sewing machine, channel-guide; United Shoe Machinery Company; 28110, 19th July, 1910; (37, 4th May).
 Boot-sewing machine, shuttle-tension; United Shoe Machinery Company; 28124, 21st July, 1910; (37, 4th May).
 Boot-sewing machine, tension-device; United Shoe Machinery Company; 28111, 19th July, 1910; (46, 1st June).
 Boot-tack-pulling machine; United Shoe Machinery Company; 27641, 27th April, 1910; (33, 20th April).
 Boot-tack-pulling machine; United Shoe Machinery Company; 29691, 7th June; (53, 29th June).*
 Boot-warming, &c.; W. Lewis; 29001, 17th January, 1911; (46, 1st June).
 Bottle (see Non-refillable bottle).
 Bottles, corking-apparatus; I. Harrison; 29377, 6th April; (46, 1st June).
 Bowls, cover for; B. Y. Goring and M. McGurk; 29636, 30th May; (58, 13th July).*
 Bows, &c., attaching to hair (see Hair-ornaments, &c.).
 Box (see Butter-box).
 Box-lid hinge; G. Pilling; 29615, 27th May; (53, 29th June).*
 Boxes, wiring and stapling; J. P. Maloney; 27781, 23rd May, 1910; (46, 1st June).
 Bracket (see Ladder-bracket, Scaffold-hanger, Timber-loading bracket).
 Brake-chain winder; G. S. Ackley; 29798, 27th June; (69, 24th August).

ALPHABETICAL LIST OF INVENTIONS—*continued.*

Brake (see also Vehicle-brake).
 Brand (see Animal-brand, Cattle-brander).
 Breecching-strap retention; E. C. Owens; 29407, 13th April; (42, 18th May).*
 Brick-manufacture (see Concrete-brick, &c. machine).
 Bridge (see Street-channel bridge).
 Bridge, lifting; W. Gloyne; 29288, 20th March; (46, 1st June).
 Broom; M. E. Budge; 29333, 27th March; (42, 18th May).*
 Brush, S. White; 29505, 4th May.
 Brush, &c., supplying fluid to; A. E. Tilburn; 29162, 23rd February; (42, 18th May).
 Bucket (see Dredge-bucket, Milking-machine bucket).
 Building-block, cement or concrete; M. Goehler; 29379, 7th April; (42, 18th May).
 Building-block manufacture (see also Concrete brick, &c., machine).
 Building-construction; W. T. G. Pinches; 28074, 13th July, 1910; (53, 29th June).
 Building-construction, roof, and floor; G. R. Hutcheson; 29556, 17th May; (58, 13th July).*
 Building studs and boards; R. W. de Montalk; 29533, 12th May; (53, 29th June).
 Building (see Concrete building).
 Burnishing and scarfing; G. Calvert; 29577, 7th June, 1910†; (50, 15th June).
 Butter-box; N. Ogden; 29679, 6th June; (53, 29th June).*
 Butter, &c., receptacle; J. R. Cruickshank; 29385, 10th April; (42, 18th May).*
 Butter-manufacture; J. H. Mau; 29654, 1st June; (62, 27th July).*
 Butter-pat cutter; J. W. Thompson; 29765, 23rd June; (75, 21st September).*
 Calendar, &c.; W. Timperley; 29778, 24th June.
 Can (see Billy-can).
 Candle-extinguisher; R. Hardie; 29474, 1st May; (46, 1st June).*
 Caoutchouc-like body manufacture; W. H. Perkin, F. E. Matthews, and E. H. Strange; 29627, 30th May; (62, 27th July).
 Carburettor; H. P. Williden; 29421, 19th April; (50, 15th June).
 Car-fares collecting, &c.; A. B. Masters; 29791, 29th June; (62, 27th July).*
 Case (see Knock-down case).
 Casement-window fastener (see Window, &c., fastener).
 Cash-receiving, &c., apparatus; M. T. Browne; 29464, 28th April; (42, 18th May).*
 Cash-tray; W. Timperley; 29779, 24th June.
 Castrating-tool; R. W. Allen; 29496, 4th May; (53, 29th June).
 Catalytic-agent manufacture (see Ammonia, &c.).
 Cattle-brander; I. R. Van Wart; 29411, 19th April; (42, 18th May).
 Centrifugal separator; R. M. Simpson; 29534; 12th May; (53, 29th June).*
 Chain (see Leading-chain).
 Chain-adjustment (see Cycle, &c.).
 Channel (see Street-channel).
 Chart and location indicator for vehicles; Auto Road Chart, Limited; 29451, 27th April; (46, 1st June).
 Chart, music-transposition; L. P. Cronly; 29588, 22nd May; (53, 29th June).*
 Cinematograph (see Kinematograph).
 Clasp-fitting for implements, &c.; G. W. Penney; 29488, 1st May; (53, 29th June).*
 Cleaner for utensils; E. McSweeney; 29699, 8th June; (58, 13th July).*
 Cleaning-preparation for silver, &c.; L. Devos, A. Adelberg, and N. Salomon; 29680, 6th June; (58, 13th July).
 Clicking-block; (see Boot-clicking block).
 Clipping-machine (see Sheep, &c., shearing machine).
 Closet-attachment; J. T. Dallimore; 29435, 18th April.
 Closet flush-valve (see Water-closet flush-valve).
 Closet-pan cover; J. A. Walker; 29538, 11th May; (50, 15th June).*
 Cloth, &c., fastening device; H. F. Sherwood-King; 29602, 23rd May; (72, 7th September).*
 Clothes-basket; K. S. Jameson; 29583, 20th May.
 Clothes-cleaner; E. J. French; 29757, 19th June; (69, 24th August).*
 Clothes-line standard; H. M. Levinge; 29622, 29th May; (62, 27th July).
 Clothes-peg bag; H. Neville and G. B. Lusk; 29593, 23rd May.
 Clothes-washer; M. Arlow; 29295, 20th March; (42, 18th May).*
 Clothes-washer; M. Arlow; 29618, 25th May; (72, 7th September).

ALPHABETICAL LIST OF INVENTIONS—*continued.*

Coal-washer, &c.; N. Andrew; 29540, 12th May.
 Coffee, &c., urn (see Urn, &c.).
 Collapsible-tube outlet; W. H. Ziele; 29599, 23rd May; (53, 29th June).
 Composition of matter; J. Hamilton; 29605, 25th May; (53, 29th June).
 Concave roller (see Agricultural implement).
 Concrete brick, pipe, &c., machine; G. Johnson; 29745, 20th June; (65, 10th August).
 Concrete building; J. Annand; 29425, 21st April; (42, 18th May).
 Concrete building; I. G. Macfarlane; 29646, 30th May; (65, 10th August).
 Concrete-building apparatus; J. Wilson; 29526, 16th June; (58, 13th July).
 Concrete-building construction; G. Jackson; 29695, 6th June.
 Concrete-construction form; F. de J. Clere; 29659, 1st June; (58, 13th July).
 Concrete-step construction; T. Napier; 29567, 18th May; (53, 29th June).
 Concrete surrounds for windows, &c.; J. Wilson; 29702, 9th June; (65, 10th August).
 Concrete wall, hollow; E. A. G. Hamlin; 29360, 3rd April.
 Concrete (see also Drinking-trough, concrete; Reinforced concrete).
 Cooking-utensil; W. H. and A. J. Jones; 29643, 31st May; (53, 13th July).
 Cooling cylinders of internal-combustion engines; W. F. Lietz; 29475, 2nd May; (50, 15th June).
 Cooling, &c., milk, &c.; W. L. Johnstone and A. Hosking; 29507, 5th May; (65, 10th August).
 Core-mould for concrete-construction; A. M. Butterworth; 28210, 4th August, 1910; (53, 29th June).
 Corrugated iron (see Vermin-proof corrugated iron).
 Corset; S. A. Jenyns; 29624, 30th May, 1910†; (53, 29th June).
 Cotton-unreeling prevention; M. E. Budge; 29703, 8th June; (58, 13th July).
 Coupling (see Hose-coupling, Pipe-coupling).
 Cover (see Animal-rug).
 Cow-bail; R. R. Gray and H. G. Fletcher; 29370, 5th April; (42, 18th May).
 Cow's-tail holder, &c.; T. Firth; 29639, 30th May; (62, 27th July).
 Cow's-tail holder; W. E. Hunter; 29667, 5th June; (58, 13th July).
 Cradle (see Swing baby-cradle).
 Cramp, ceiling; E. Arnott; 29367, 3rd April; (42, 18th May).
 Cramp, match-lining; A. R. Craddock and W. Scott; 28049, 9th July, 1910; (46, 1st June).
 Crane; C. Christie; 29042, 1st December, 1910†; (50, 15th June).
 Crank-case "breather"; R. E. Nicholls; 29637, 30th May; (62, 27th July).
 Crank-extension; C. S. Bayley; 29383, 5th April; (46, 1st June).
 Crate; A. D. Clemett and W. Broadbent; 29298, 21st March; (42, 18th May).
 Cream-separator driving-gear; G. T. Booth; 29514, 8th May; (46, 1st June).
 Crowbar, &c.; M. J. Lister; 29455, 22nd April; (42, 18th May).
 Cue (see Billiard-oue).
 Cultivator (see Disc cultivator, Disc plough).
 Curd breaker and cutter; J. D. Hunter; 29783, 24th June; (72, 7th September).
 Cycle handle-bar and stem, &c.; S. Moody; 29434, 26th April; (42, 18th May).
 Cycle lamp-bracket, &c.; S. Moody; 29434, 26th April; (42, 18th May).
 Cycle rear-wheel chain-adjustment; C. G. McKellar; 29480, 1st May; (46, 1st June).
 Dancing toy (see Toy, &c.).
 Decoy-duck; A. E. Norrie; 29508, 5th May; (62, 27th July).
 Delivery-book; C. J. Wattson; 29405, 12th April.
 Dental gold-casting; P. F. Phillips; 29355, 30th March; (42, 18th May).
 Dentifrice-liquid; J. C. Datson; 29406, 13th April; (42, 18th May).
 Derrick strain-indicator; H. McCulloch; 29358, 1st April; (42, 18th May).
 Desk (see Drawing-board, &c., School-desk).
 Detachable rim, clamping to wheel; E. Moss; 29062, 26th January; (53, 29th June).

ALPHABETICAL LIST OF INVENTIONS—*continued.*

Detachable rim for tire; A. H. Roberts; 29523, 10th May; (50, 15th June).
 Diary, &c.; W. Timperley; 29778; 24th June.
 Disc cultivator; E. S. Baldwin; 29450, 27th April; (62, 27th July); (62, 27th July).
 Disc plough (see Plough).
 Dihalogen derivatives of paraffin hydrocarbons, &c.; W. H. Perkin, F. E. Matthews, and E. H. Strange; 29627, 30th May; (62, 27th July).
 Disinfecting (see Telephone-disinfecting; Telephone-mouthpiece disinfecting; Water-closet flush, disinfecting).
 Disintegrator, minerals, &c.; K. E. Robinson; 29395, 12th April; (58, 13th July).
 Door, &c., fastener; C. E. Player; 29510, 5th May; (50, 15th June).
 Door knob and handle securing; E. B. Vaile; 29402, 13th April; (46, 1st June).
 Door-stop; J. E. Wilkins and G. E. Tyler; 29668, 2nd June; (62, 27th July).
 Door stop and holder; D. J. Hawkes; 29372, 5th April; (42, 18th May).
 Door-surrounds (see Concrete surrounds, &c.).
 Drain-cleaner; W. L. Roberts; 29493, 3rd May; (46, 1st June).
 Drawing board and fittings; G. L. Parrington; 29693, 7th June; (58, 13th July).
 Drawing-board, desk, and instructional apparatus; C. J. Moreton; 29547, 16th May; (50, 15th June).
 Dredge bucket or grab; G. G. Holmes; 28091, 15th July, 1910; (28, 6th April).
 Dress form or stand; E. S. Baldwin and H. H. Rayward; 29595, 23rd May; (53, 29th June).
 Dress-shield; M. U. Dennison; 29384, 6th April; (53, 29th June).
 Dress-shield; M. U. Dennison; 29511, 4th May; (46, 1st June).
 Drill; S. A. Ashton; 29465, 29th April; (50, 15th June).
 Drinking-trough, concrete; T. Napier; 29657, 1st June; (58, 13th July).
 Dropper (see Fencing-dropper).
 Drum (see Threshing-machine drum).
 Drying fleeces on sheep; C. A. Alford and E. G. Finch; 29628; 30th May; (53, 29th June).
 Drying footwear (see Boot-warming, &c.).
 Dust-bin; A. Crawford; 29731, 16th June; (58, 13th July).
 Dust-protector for sulky; G. F. Bryant; 29575, 18th May; (50, 15th June).
 Dye, hair, &c.; F. V. Raymond; 29569, 19th May; (50, 15th June).
 Dyeing-machine (see Washing, &c., machine).
 Ear-trumpet and hair-pad; T. W. Messenger; 29653, 30th November, 1910†; (53, 13th July).
 Earth-loader (see Loading earth, &c.).
 Egg-tester; C. F. Olson and J. Harrington; 29522, 5th May; (46, 1st June).
 Egg-tester, &c.; A. White; 29386, 7th April; (42, 18th May).
 Electric alarm (see Fire-alarm).
 Electric battery, &c., separator; P. Marino; 29412, 19th April; (42, 18th May).
 Electric-current controller; J. Watkinson and A. E. Payne; 29609, 9th June, 1910†; (58, 13th July).
 Electric insulator (see Insulator, &c.).
 Electric-lamp holder; A. T. Crosher; 29559, 11th May; (50, 15th June).
 Electric-lamp-holder switch; A. T. Crosher; 29560, 11th May; (50, 15th June).
 Electric-light-shade carrier; A. T. Crosher; 29557, 11th May; (50, 15th June).
 Electric plug, &c.; A. T. Crosher; 29558, 11th May; (50, 15th June).
 Electrical oscillations, producing; Gesellschaft für Drahtlose Telegraphie m.b.H.; 29524, 10th May; (72, 7th September).
 Electrical oscillations, producing; Gesellschaft für Drahtlose Telegraphie m.b.H.; 29525, 10th May; (72, 7th September).
 Electrolytic apparatus (see Electric battery, &c.).
 Elevator (see Sheaf-elevator).
 Embossing-machine (see Franking-machine).
 Engine (see Cooling-cylinders, &c.; Explosion-motor; Internal-combustion engine, &c.; Marine-engine racing, preventing; Rotary engine; Turbine-rotor).
 Envelope (see also Grain-sample envelope, Letter-sheet and envelope).
 Envelope; T. O. Turnbull; 29351, 29th March; (42, 18th May).
 Envelope-sealing; A. E. Young and G. G. Holmes, jun.; 29519, 9th May; (53, 29th June); (69, 24th August).

ALPHABETICAL LIST OF INVENTIONS—*continued.*

Explosion-motor; J. E. Friend; 29711, 12th June; (58, 13th July).*

Explosive; G. W. Davies; 29516, 9th May; (62, 27th July).*

Explosive; B. J. Flürscheim; 29101, 17th February, 1910†; (46, 1st June).

Explosive, handling, &c.; Birmingham Metal and Munitions Company, Limited, and J. H. Barker; 29445, 26th April; (62, 27th July).

Fanlight, &c., fastener (see Window, &c., fastener).

Fares, collecting (see Car fares, &c.).

Fastening (see Blouse, &c., fastening; Cloth, &c., fastening-device; Door-fastener; Gate-fastener; Trunk-fastening; Window, &c., fastener; Window-sash-cord attaching).

Feeding-bag; W. Fitzgerald; 29756, 20th June; (62, 27th July).*

Fence-batten; A. Drake; 29780, 24th June.

Fence-post; A. Drake; 29781, 24th June.

Fence-standard; A. McLean; 29736, 17th June; (62, 27th July).

Fence-standard; G. D. and A. P. F. Watson; 29712, 12th June; (58, 13th July).*

Fencing-dropper; G. W. Penney; 28908, 17th December, 1910; (28, 6th April).*

Fencing-tool; M. J. Lister; 29579, 18th May; (53, 29th June).*

Fencing-wire (see also Wire).

Fertilizer, &c.; W. F. K. Stock; 29410, 29th April, 1910†; (42, 18th May).

Fibre (see also Flax).

Fibre-catcher; E. P. Levien; 29758, 21st June; (65, 10th August).*

Fibre-treating apparatus; F. V. Raymond; 29663, 2nd June; (58, 13th July).*

Fibre-treatment; A. L. J. Tait; 27543, 9th April, 1910; (33, 20th April).

Films, preventing combustion of (see Kinematograph-films, &c.).

Filter for tank; V. E. Mason and K. E. Harrison; 29720, 14th June; (62, 27th July).*

Filter-press; C. W. Merrill; 29459, 28th April; (50, 15th June).

Filtering-apparatus; M. Deacon, W. Gore, and Palatine Engineering Company, Limited; 29755, 20th June.

Fire-alarm; G. Porter; 29512, 4th May; (53, 29th June).*

Fire, &c., alarm, electric; H. Castle, E. J. Riddiford, W. E. Bidwill, and L. L. McDermott; 27713, 11th May, 1910; (42, 18th May).

Fire, &c., alarm, electric; H. Quertier; 27973, 25th June, 1910; (46, 1st June).

Fire-lighter; E. Dane and R. T. Graham; 29548, 15th May.

Fires, extinguishing; C. Graaff; 29419, 21st April; (42, 18th May).

Fish-plate, railway; J. A. Joseph; 29248, 13th March; (42, 18th May).*

Flax (see also Fibre).

Flax-catcher; C. J. H. Thomson; 29686, 5th June; (58, 13th July).*

Flax-dressing machine; F. V. Raymond; 29347, 30th March; (42, 18th May).*

Flax-dressing machine; F. V. Raymond; 29719, 14th June; (58, 13th July).*

Flax-tailing clipper; P. Robinson and E. Wanklyn; 29481, 8th May; (46, 1st June).*

Flax-treatment; A. Hudson and F. S. Smith; 29399, 13th April; (42, 18th May).

Flax-treatment; F. V. Raymond; 29413, 19th April; (42, 18th May).*

Flax-treatment; F. V. Raymond, J. E. Rough, and W. O. Beere; 29452, 27th April; (42, 18th May).*

Flax-treatment; D. McGill; 29429, 25th April; (42, 18th May).*

Flax-treatment; D. McGill; 29430, 25th April; (42, 18th May).*

Flax-treatment; D. McGill; 29542, 15th May; (50, 15th June).*

Fleeces, drying (see Drying fleeces, &c.).

Fleshing-machine; Bowron Bros. Export and Trading Company, Limited; 29392, 11th April.

Floor-construction (see Reinforced-concrete walls, &c.).

Floor-polish (see Polish, &c.).

Folding-machine for forms, &c.; R. Burn; 29555, 17th May; (50, 15th June).*

Folding and wrapping machine, newspaper, &c.; A. E. Young; 29574, 17th May; (50, 15th June).*

Footwear (see Boot).

Fork, food-removing attachment; A. H. Edwards; 29722, 20th June, 1910†; (58, 13th July).

ALPHABETICAL LIST OF INVENTIONS—*continued.*

Form (see Account form, &c.; Concrete-building apparatus; Concrete-construction form).

Franking-machine (see also Post-office facing-up table).

Franking-machine; W. Morton; 27652, 26th April, 1910; (37, 4th May).

Franking-machine; J. H. Burn; 27719, 1st June, 1910; (42, 18th May).

Franking-machine; A. H. Wright and N. S. McNab; 28013, 29th June, 1909†; (42, 18th May).

Franking-machine; E. Moss; 29581, 20th May; (53, 29th June).*

Franking-machine ribbon feeder; E. Moss; 29348, 29th March; (42, 18th May).*

French-window, &c., fastener (see Window, &c., fastener).

Fruit, &c., grader; E. R. Shield; 28447, 15th September, 1910; (37, 4th May).

Fruit-pickers' bag (see Bag, pickers' and packers').

Frying-pan cover; O. E. Hogg; 29552, 17th May; (53, 29th June).

Fuel and steam economizer; H. Norgrove; 29785, 26th June; (62, 27th July).*

Fume-destroying composition; Globe Chemical Works; 29690, 7th June; (58, 13th July).

Fungicide, &c.; W. F. K. Stock; 29410, 29th April, 1910†; (42, 18th May).

Furnace (see also Boiler-furnace, Iron and steel manufacturing furnace, Ore-furnace).

Furnace; F. R. Millar; 29378, 7th April; (42, 18th May).*

Furnace, calcining, &c., tilting; T. Edwards; 29565, 18th May; (58, 13th July).

Furniture-cleaner (see Linoleum and furniture cleaner).

Game (see Table game).

Garden hoe; H. E. Hale; 29674, 5th June; (58, 13th July).

Garden roller; J. B. Moir; 27912, 15th June, 1910; (37, 4th May).

Garter (see Suspender-garter).

Gas (see Hydrocarbon vaporizer, Oil-gas, Producer-gas).

Gas, &c., engine; W. H. Livens; 29476, 29th April.

Gas-lamp, inverted incandescent; O. H. Stapelfeldt; 27752, 18th May, 1910; (46, 1st June).

Gas-lamp, inverted incandescent; O. H. Stapelfeldt; 27753, 18th May, 1910 (46, 1st June).

Gas-main closing; C. Toon; 29532, 12th May; (50, 15th June).*

Gas-manufacture; Blaugas - Patent - Gesellschaft, m.b.H.; 29772, 30th August, 1910†; (69, 24th August).

Gas-manufacture, petroleum, &c.; Blaugas-Patent-Gesellschaft, m.b.H.; 29773, 23rd June; (69, 24th August).

Gas-manufacture; Scott Bros., Limited; 29197, 28th February; (53, 29th June).

Gate; W. J. Marsom; 29521, 10th May; (50, 15th June).*

Gate-fastener; A. E. Bastard; 29645, 30th May; (62, 27th July).*

Gate-fastener; W. E. Phelps; 29454, 27th April; (42, 18th May).*

Gate-fastener; C. E. Player; 29487, 29th April; (50, 15th June).*

Gate, &c., fastener; C. E. Player; 29510, 5th May; (50, 15th June).*

Gate-hinge; E. L. Strawbridge; 29431, 25th April; (42, 18th May).

Gear mechanism (see Power-transmission mechanism, Railway-car running-gear).

Generator, liquid-fuel consuming; W. H. J. Ridley; 29694, 6th June; (53, 29th June).*

Go-cart, collapsible undercarriage; T. and P. Wallace; 29650, 1st June; (53, 29th June).

Gold and silver recovery from ore; J. Gitsham; 29499, 4th May; (50, 15th June).

Gold-casting (see Dental-gold casting).

Gold-saving; C. J. Sanderson; 29472, 28th April; (50, 15th June).*

Gold-saving means; H. Swan and D. W. MacFarlane; 29337, 29th March; (42, 18th May).*

Grab (see Dredge bucket or grab).

Grader (see Fruit, &c., grader).

Grain-sample envelope, &c.; C. Bristow; 29322, 24th March; (42, 18th May).

Grain-sample envelope, &c.; Coulls, Culling, and Co., Limited; 29796, 24th June; (69, 24th August).

Gramophone; E. Elliott; 29453, 27th April; (42, 18th May).*

Gramophone (see also Phonograph).

Grate, water-heater attachment (see Water-heating attachment to stoves, &c.).

Gun-sight; F. H. Andrews; 29324, 29th May; (58, 13th July).*

Gutta-percha (see Caoutchouc, &c.; Indiarubber).

ALPHABETICAL LIST OF INVENTIONS—*continued.*

Hair-dye (see Dye, hair, &c.).
 Hair-ornaments, attaching; G. D. McDermid; 29490, 1st May; (46, 1st June).
 Hair-pad (see Ear-trumpet and hair-pad).
 Hair-pin; F. W. Rooke and J. R. Bristow; 29442, 26th April.
 Hammer (see Steam-hammer).
 Hand-protector for cycling; H. A. Searell; 29734, 15th June.
 Handle-bar and stem, &c. (see Cycle handle-bar, &c.).
 Hat-fastener; F. Andrews; 28619, 21st October, 1910; (42, 18th May).
 Hatpin-point protector; W. H. Fitchett; 29700, 8th June.
 Hatpin-point protector; A. R. Gray; 29504, 4th May; (46, 1st June).
 Hatpin-point protector; J. W. Gunn; 29580, 18th May; (53, 29th June).
 Hatpin-point protector; C. Johnson; 29587, 22nd May; (53, 29th June).
 Hatpin-point protector; W. Morton; 29489, 1st May.
 Hatch-cover securing (see Ship's hatch, &c.).
 Hearth (see Ore-cooling hearth).
 Heat of liquids, utilizing; E. D. Berry; 29376, 5th April.
 Heating apparatus (see Pasteurizing, &c., apparatus, Water-heater).
 Heat-utilizing apparatus; E. D. Berry; 29477, 1st May; (46, 1st June).
 Heel-grip (see Boot-heel grip).
 Hinge (see Box-lid hinge, Gate-hinge).
 Hobble (see Hopple).
 Hock-boot for horses; A. H. Duxfield; 27787, 27th May, 1910; (46, 1st June).
 Hoe (see Garden hoe).
 Hopple, pacing; J. W. Trist and G. M. Small; 29664, 1st June; (65, 10th August).
 Horse-clipper (see Sheep, &c., shearing machine).
 Horse covers or rugs (see Animal-rugs).
 Horse's-leg protector; W. H. Denton; 29369, 3rd April; (37, 4th May).
 Hose-coupling; S. F. Buckingham; 29608, 25th May; (58, 13th July).
 Hose-pipe union, &c.; J. H. Lawrence; 29805, 30th June; (65, 10th August).
 Hurdle, racing; T. Taylor; 28070, 14th July, 1910; (37, 4th May).
 Hydraulic ram; W. Nicholas; 29396, 11th April; (53, 29th June).
 Hydrocarbonaceous substances, &c., treatment of; J. D. Scott; 29491, 1st May; (50, 15th June).
 Hydrocarbon vapourizer; J. C. Preston; 29655, 25th July, 1910; (62, 27th July).
 Impressing-machine (see Franking-machine).
 Incubator; Petaluma Incubator Company; 29079, 1st February; (42, 18th May).
 Indiarubber (see also Caoutchouc, &c.).
 Indiarubber, artificial; J. T. Hunter; 29418, 20th April; (53, 29th June).
 Indicating, &c., apparatus, electric; H. Quertier; 27973, 25th June, 1910; (46, 1st June).
 Indicating on mail-matter (see Franking-machine).
 Indicator (see Derrick strain-indicator, Chart, &c.).
 Inflator (see Tire-inflator).
 Insecticide, &c.; W. F. K. Stock; 29410, 29th April, 1910; (42, 18th May).
 Instructional apparatus (see Drawing-board, &c.).
 Insulator, electric-line section; S. Symington; 29503, 2nd May; (50, 15th June).
 Internal-combustion engine, cooling-cylinders (see Cooling-cylinders, &c.).
 Internal-combustion-engine rotary valve; R. S. Buckman; 29750, 20th June; (69, 24th August).
 Internal-combustion-engine starting-device; G. C. Goodhart; 29517, 1st July, 1910; (46, 1st June).
 Inverted incandescent-gas lamp (see Gas-lamp, &c.).
 Iron, &c., manufacture; A. E. Bourcoud; 28966, 10th January, 1910; (50, 15th June).
 Iron, &c., manufacturing furnace; W. H. J. Ridley; 28465, 19th September, 1910; (53, 29th June).
 Jack (see Lifting-jack).
 Jar, preserve, &c.; H. M. Keesing; 29732, 15th June; (58, 13th July).
 Jointing ropes of rubber; J. C. and H. H. Burton; 29495, 4th May; (58, 13th July).
 Kerosene, &c., tin emptying (see also Liquids, drawing off).
 Kerosene, extracting, from tins; F. Matthews; 29737, 19th June; (62, 27th July).
 Kerosene-pump, tin-piercer; J. Brownlie and W. E. Potts; 29554, 17th May.
 Kiln (see Limekiln).

ALPHABETICAL LIST OF INVENTIONS—*continued.*

Kinematograph apparatus; J. Milburn; 27958, 24th June, 1910; (53, 29th June).
 Kinematograph, &c., films, preventing combustion of; J. E. Tatham; 29158, 24th February, 1910; (46, 1st June).
 Kinematograph, &c., photographs taking, &c.; G. C. Thomas; 29754, 20th June; (69, 24th August).
 Kinematograph, synchronizing with phonograph, &c. (see Synchronizing working of machinery).
 Kitchen range; J. Pierce; 29424, 21st April; (46, 1st June).
 Knickers, child's; M. E. Budge; 29334, 27th March; (46, 1st June).
 Knife-powder, &c.; H. N. Bagnall; 29403, 12th April.
 Knock-down case and filler; C. E. Thompson, jun., and G. Harley; 29316, 23rd March; (42, 18th May).
 Label, &c., forming machine; M. and J. Routley; 29401, 13th April; (42, 18th May).
 Ladder-bracket; G. H. Grayson and W. M. Bell; 29642, 31st May; (62, 27th July).
 Ladder-bracket; F. Mays; 29400, 13th April; (46, 1st June).
 Lamp (see also Acetylene-lamp, Electric lamp, Gas-lamp).
 Lamp; R. D. Jameson; 29638, 30th May; (53, 29th June).
 Lamp-bracket, &c. (see Cycle lamp-bracket, &c.).
 Lasting foot-wear (see Boot, warming, &c.; Boot-lasting machine, &c.).
 Laundry-appliance; S. Carr; 29651, 1st June; (58, 13th July).
 Lawn-mower; A. E. Young and G. G. Holmes, jun.; 28910, 19th December, 1910; (37, 4th May).
 Leadheaded-nail machine; W. A. Stephenson; 28250, 12th August, 1910; (50, 15th June).
 Leading-chain spreader; W. J. Sparks; 29469; 1st May; (50, 15th June).
 Leaf-like sheet manufacture (see Composition of matter).
 Legs of animals, securing (see Stocks for animals).
 Letter-sheet and envelope; A. Gray; 27833, 7th June, 1910; (42, 18th May).
 Level; G. H. Harper; 28477, 21st September, 1910; (42, 18th May).
 Lid for tin; J. Lyall; 29738, 19th June; (62, 27th July).
 Lid, tea-kettle; H. Corn; 29632, 30th May.
 Lifeboat-lowering tackle; J. B. Robertson; 29619, 29th May; (58, 13th July).
 Lifebuoy, attaching, to ship's rail; B. Whitham; 29630, 29th May.
 Lifting-jack; J. Whall; 27487, 31st March, 1910; (33, 20th April).
 Lime-burning (see Limekiln).
 Lime, &c., preparing (see Soda, &c., acetate preparing).
 Limekiln; B. Miller; 29479, 2nd May; (53, 29th June).
 Liniment (see Ointment, &c.).
 Links, inserting (see Sleeve-links, &c.).
 Linoleum and furniture cleaner; G. Kelly and F. Holloway; 29320, 24th March; (46, 1st June).
 Linoleum, protective ends of; V. R. Moss; 29323, 23rd March; (46, 1st June).
 Liquids, drawing off; F. N. Christian; 29788, 28th June; (62, 27th July).
 Liquids, screw-plug, &c., for delivering; J. Sharpe; 27748, 18th May, 1910; (46, 1st June).
 Loading earth, &c.; R. McGaffin; 29707, 9th June; (58, 13th July).
 Location-indicator for vehicles (see Chart, &c.).
 Lock, time-limit; F. W. Payne; 29610, 24th May; (53, 29th June).
 Lock-nut; The Bevan Lock-nut Company, Limited; 29544, 16th May; (50, 15th June).
 Lock-nut; H. McDonald; 29291, 20th March; (53, 29th June).
 Lubricator (see Axle-oiler).
 Lumbago, &c., cure (see Rheumatism, &c., cure).
 Machine time-recorder; E. Phillips; 29717, 13th June.
 Manure, liquid, distributor; H. H. C. Schulze; 28080, 15th July, 1910; (37, 4th May).
 Manure-mixing; G. A. Clark; 29467, 1st May; (46, 1st June).
 Marine-engine racing, preventing; W. C. Napier; 29319, 23rd March; (42, 18th May).
 Marine-engine racing, preventing; F. Tanner; 29275, 24th November, 1910; (53, 29th June).
 Material from filter-press, treatment; C. W. Merrill; 29459, 28th April; (50, 15th June).
 Mat-slipping prevention; C. E. Player; 29550, 15th May.
 Meat-preserving; O. Ahrens; 28179, 30th July, 1910; (33, 20th April).
 Meat-preserving; O. Ahrens; 29681, 6th June; (53, 29th June).
 Meat-preserving; J. R. Hayne; 29590, 23rd May; (62, 27th July).

ALPHABETICAL LIST OF INVENTIONS—*continued.*

Medicine; F. Gough; 29361, 3rd April; (37, 4th May).*

Medicine, cough, &c.; R. Collier; 29767, 21st June; (62, 27th July).

Medicine, &c.; F. V. Raymond; 29570, 19th May; (50, 15th June).*

Merry-go-round; J. Muirhead; 29366, 4th April.

Message, electric, transmission; H. Quertier; 27973, 25th June, 1910; (46, 1st June).

Metal (see also Ore).

Metal-extraction; J. C. Smith and W. Tweedale; 29685, 6th June; (53, 29th June).*

Metal-recovery from solution; C. W. Merrill; 29458, 28th April; (50, 15th June).

Metal-treatment (see Rails, &c., treatment).

Milk-can lid; S. D. Currie and H. M. Thorpe; 29708, 12th June; (62, 27th July).*

Milk-can strainer; T. Garland and R. Gambrill; 29625, 29th May; (62, 27th July).*

Milk-container; G. P. Darlow; 29462, 28th April; (42, 18th May).*

Milk cooler and aerator; H. W. James; 29448, 27th April; (46, 1st June).*

Milk-elevating pump and motor; J. Hurler and A. B. Robertson; 29492, 29th April; (46, 1st June).*

Milking-machine; Eureka Milking Machine Company, Limited; 29631, 27th May; (69, 24th August).*

Milking-machine; G. W. K. Morley; 27825, 4th June, 1910; (37, 4th May).

Milking-machine; A. Storrie; 29302, 18th March; (46, 1st June).

Milking-machine bucket; J. W. Donald; 29317, 23rd March; (42, 18th May).*

Milking-machine bucket-head; H. Droutledge; 28120, 19th July, 1910; (33, 20th April).

Milking-machine pulsator; R. Lambie, jun., and G. S. Edlin; 29713, 12th June; (62, 27th July).*

Milking-machine pulsator; E. C. Woodford and J. McLay; 29658, 1st June; (62, 27th July).*

Milking-machine receiver and deliverer; D. H. Armstrong; 29427, 25th April; (46, 1st June).*

Milking-machine receiving-bucket; R. H. Bartlett; 29509, 4th May; (46, 1st June).*

Milking-machine receiving-can; F. J. Northcott; 29470, 1st May; (46, 1st June).

Milking-machine releaser; H. Chapman; 29641, 31st May; (53, 29th June).*

Milking-machine releaser; C. H. Davis; 29761, 21st June; (69, 24th August).

Milking-machine releaser; W. G. Fountain and W. J. Paterson; 29539, 12th May; (50, 15th June).*

Milking-machine releaser; J. O. Galbally; 29687, 7th June; (53, 29th June).*

Milking-machine releaser; R. S. Maunder; 29486, 3rd May; (46, 1st June).*

Milking-machine releaser; A. C. Pocock; 29598, 22nd May; (53, 29th June).*

Milking-machine releaser; J. Treloar; 29426, 22nd April; (46, 1st June).*

Milking-machine releaser; J. Treloar; 29764, 20th June; (69, 24th August).

Milking-machine releaser; D. O. Stewart and S. M. Bower; 29612, 26th May; (53, 29th June).*

Milking-machine releaser; C. J. Whitaker and M. A. McKenzie; 29735, 17th June; (69, 24th August).*

Milking-machine teat-cup; A. Gillies; 28806, 24th December, 1909; † (42, 18th May).

Milking-machine teat-cup; R. E. Shepperson; 29416; 20th April; (46, 1st June).

Milking-machine teat-cup; R. W. D. Robertson; 29422, 21st April; (46, 1st June).*

Milking-machine teat-cup; A. W. Reid; 29428, 25th April; (46, 1st June).*

Milking-machine teat-cup; G. T. Booth; 29515, 8th May; (46, 1st June).*

Milking-machine teat-cup; P. H. Best; 29530, 5th May; (46, 1st June).*

Milking-machine teat-cup; J. H. Davies; 29601, 25th May; (62, 27th July).*

Milk-releaser (see Milking-machine releaser).

Milk-separator; W. E. Brown; 29052, 26th January; (46, 1st June).

Mono-rail vehicle; L. Brennan; 27518, 6th April, 1910; (33, 20th April).

Motor (see Rotary motor, Pump and motor, Explosion-motor).

Motor-belt transmission (see Belt-transmission).

Motor-car wheel (see Wheel).

Motor, wind and water; E. T. C. Firth; 28996, 11th May; (46, 1st June).*

ALPHABETICAL LIST OF INVENTIONS—*continued.*

Mould (see Partition-block mould, Core-mould for concrete-construction).

Mouth-breathing in children, preventing; M. E. Budge; 29335, 12th June; (53, 29th June).*

Mowing-machine cutter; S. Barr; 29787, 21st June.

Music-leaf turner; A. H. J. Parker; 29443, 25th April; (46, 1st June).*

Music-transposition (see Chart, &c.).

Nail (see Leadheaded nail, Screw-nail).

Neckband (see Shirt, &c., neckband).

Neuralgia, &c., cure (see Rheumatism, &c., cure).

Newspapers, folding and wrapping (see Folding and wrapping machine).

Non-refillable bottle; W. H. Fitchett; 29485, 3rd May.

Note-book; V. F. Clark; 29740, 19th June; (58, 13th July).*

Nut-lock (see Lock-nut).

Oil-can; C. A. Oldman; 28368, 2nd September, 1910; (46, 1st June).

Oil-engine (see Gas, &c., engine).

Oil-gas production; J. W. M., and M. M. Burdon; 29500, 4th May; (50, 15th June).

Ointment, &c.; D. Munn; 29710, 12th June.

Ointment, &c.; F. V. Raymond; 29570, 19th May; (50, 15th June).*

Ordnance (see Projectile for ordnance).

Ore-cooling hearth; T. Edwards; 29792, 12th September, 1910; (69, 24th August).

Ore-furnace; T. Edwards; 29793, 12th September, 1910; (69, 24th August).

Ore-furnace; T. Edwards; 29565, 18th May; (58, 13th July).

Ore-furnace feeding-tuyere; E. E. Banes; 29529, 27th October, 1910; (50, 15th June).

Ore-furnace rabble; T. Edwards; 29794, 10th October, 1910; (69, 24th August).

Ore, sulphide, treatment; E. E. Banes; 29528, 30th June, 1910.†

Ore-treatment; C. E. Baker; 29562, 19th May, 1910; (53, 29th June).

Ore-treatment; A. Trifonoff and D. Gardner; 29797, 27th June; (69, 24th August).

Ore-treatment; E. J. Way and A. J. Arbuckle; 29380, 7th April; (50, 15th June).

Ore (see also Metal, gold).

Organ, &c., keyboard, note-guide; C. L. Nesbitt; 28936, 23rd December, 1910; (33, 20th April).

Ornaments, attaching to hair (see Hair-ornaments, &c.).

Oven-slide holder and stand; J. Cook and H. Thompson; 27709, 7th May, 1910; (42, 18th May).

Pad, supplying fluid to (see Brush, &c., supplying fluid to).

Paint, &c., manufacture; F. V. Raymond; 29742, 19th June; (62, 27th July).*

Paper-wrapper; Watkins, Tyer, and Tolan, Limited; 29417, 20th April; (50, 15th June).*

Partition-block moulds; Sullivan Fire-proof Wall and Partition Company of Canada, Limited; 28566, 11th October, 1910; (33, 20th April).

Pasteurizer; E. D. Berry; 29482, 2nd May; (46, 1st June)*; (65, 10th August).

Pasteurizer-stirrer; C. Boniface; 29584, 19th May; (62, 27th July).*

Pasteurizing, &c., apparatus; A. H. Hale and F. J. Nathan; 29381, 7th April; (46, 1st June).

Pasteurizing, &c., milk, &c.; W. L. Johnstone and A. Hosking; 29507, 5th May; (65, 10th August).

Pasteurizing skim-milk, &c.; C. Cooper; 29466, 1st May; (46, 1st June).

Pasteurizing skim-milk, &c.; W. L. Johnstone and A. Hosking; 29483, 2nd May; (46, 1st June).

Peg, animal-trap, &c.; W. P. S. MacGregor; 29585, 19th May; (53, 29th June).*

Phonograph (see also Gramophone).

Phonograph, &c., synchronizing with kinematograph (see Synchronizing working of machinery).

Photographs taking, &c. (see Kinematograph, &c., photographs, &c.).

Piano, &c., keyboard, note-guide; C. L. Nesbitt; 28936, 23rd December, 1910; (33, 20th April).

Piano-player, &c.; R. H. McHardy; 29752, 20th June; (62, 27th July).

Piano-player, &c.; R. H. McHardy; 29753, 20th June; (62, 27th July).

Pick, &c.; M. J. Lister; 29455, 22nd April; (42, 18th May).*

Pile-sinking; G. M. Powell; 29346, 30th March; (42, 18th May).*

Pile surface on mat, forming (see Sewing, &c.).

Pipe, concrete, manufacture (see Concrete-brick, &c., machine).

ALPHABETICAL LIST OF INVENTIONS—*continued.*

Pipe-coupling; A. Carter; 29423, 22nd April; (42, 18th May).*

Pipe-union (see Hose-pipe union).

Plant-protector; C. J. Sanderson; 29473, 28th April.

Plough; E. M. McLauchlan; 27901, 15th June, 1910; (53, 29th June).

Plough; J. Trapski; 28218, 8th August, 1910; (42, 18th May).

Plough-attachment; E. M. McLauchlan; 27,901, 15th June, 1910; (53, 29th June).

Plough, disc; L. F. Laurent; 27576, 18th April, 1910; (37, 4th May).

Plough, disc, &c.; G. O. Westendorf; 29747, 20th June; (65, 10th August).

Plough-gear; A. Cooper; 29730, 16th June; (58, 13th July).*

Plough, hillside, &c.; W. M. and F. M. Hogg; 29543, 16th May; (50, 15th June).*

Plough share and point; P. and T. McDermott; 29232, 8th March; (42, 18th May).

Plough-tongue; Benicia Ironworks; 29497, 4th May; (69, 24th August).

Plug (see Screw-plug).

Polish, floor-; A. J. S. Blythe; 29541, 15th May; (65, 10th August).

Polish, leather, &c.; F. V. Raymond; 29572, 19th May; (50, 15th June).*

Polish, metal, &c.; F. V. Raymond; 29573, 19th May; (50, 15th June).*

Polishing apparatus, metal-; F. V. Raymond; 29613, 26th May; (58, 13th July).*

Polishing sheet or board; F. V. Raymond; 29571, 19th May; (50, 15th June).*

Post (see Concrete post, Fence-post).

Post-marking machine (see Franking-machine).

Post-office facing-up table; J. H. Burn; 27890, 14th June, 1910; (37, 4th May).

Potash, &c., preparing (see Soda, &c., acetate preparing).

Potato-blight destroyer; F. H. Lambert; 29789, 28th June; (62, 27th July).*

Potato-preserving; G. F. Holden; 29592, 23rd May; (53, 29th June).*

Power-transmission mechanism; G. Westinghouse; 29545, 16th May; (53, 29th June).

Preserving (see Jar, preserve, &c.; Meat-preserving; Potato-preserving).

Printers' sheet, drying; P. A. Ferguson; 29463, 28th April; (42, 18th May).*

Producer-gas manufacture; Scott Bros., Limited; 29197, 28th February; (53, 29th June).

Projectile for ordnance; J. A. Hill; 29363, 4th April; (42, 18th May).

Protein or albumen production; S. A. Vasey; 29364, 11th April, 1910†; (69, 24th August).

Pulsator (see Milking-machine pulsator).

Pump (see also Air-pump, Kerosene-pump, Vacuum-pump).

Pump and motor; H. S. Hele-Shaw and F. L. Martineau; 29596, 23rd May; (58, 13th July).

Pump, internal-combustion; E. B. Badoock; 29716, 16th June, 1910†; (58, 13th July).

Puncture-stop; C. Laut; 29362, 4th April; (37, 4th May).

Rabble (see Ore-furnace rabble).

Racing of marine engines, preventing (see Marine engine, &c.).

Rack (see Wool-rack).

Racquet (see Tennis-racquet).

Rail (see Window-rail and sash-raiser).

Rail-attachment (see Tramcar-rail attachment).

Rails, &c., treatment; J. C. Russell; 29771, 23rd June; (69, 24th August).

Railway (see Aerial railway).

Railway-car running-gear; A. R. Angus; 29656, 3rd June, 1910†; (62, 27th July).

Railway fish-plate (see Fish-plate).

Railway-rail contacts; W. R. Sykes Interlocking Signal Company, Limited, J. C. Sykes, R. W. Tarrant, and McKenzie and Holland, Limited; 29594, 23rd May; (58, 13th July).

Railway safe-running device; A. R. Angus; 29081, 7th February, 1910†; (50, 15th June).

Railway safe-running device; A. R. Angus; 29082, 7th February, 1910†; (50, 15th June).

Railway safe-running device; A. R. Angus; 29083, 7th February, 1910†; (50, 15th June).

Railway safety-apparatus; F. M. Field and D. A. Skene; 28780, 23rd November, 1910; (42, 18th May).

Railway-signal apparatus; A. V. Davis; 29456, 25th April, 1910.†

Railway-signalling; T. S. Gurr and R. J. Hobbs; 29382, 4th April; (42, 18th May).*

ALPHABETICAL LIST OF INVENTIONS—*continued.*

Railway-signalling; T. S. Gurr and R. J. Hobbs; 29611, 24th May; (53, 29th June).*

Railway-signalling; W. R. Sykes, Interlocking Signal Company, Limited, W. R. Sykes, R. W. Tarrant, and McKenzie and Holland, Limited; 29437, 26th April; (42, 18th May).

Ram (see Hydraulic ram).

Rammer, &c.; M. J. Lister; 29455, 22nd April; (42, 18th May).*

Range (see Kitchen range).

Rat, &c., trap, ship's hawser; H. L. Worthington; 29 35, 30th May (53, 29th June).

Reaping-machine (see Mowing-machine).

Recorder (see Machine-recorder).

Reinforced-concrete walls, floors, and slabs; C. F. Jeanneret; 29393, 12th April; (42, 18th May).

Rheumatism, &c., cure; J. W. Fenton; 27972, 21st July, 1910; (42, 18th May).

Ridge-cap, building; S. B. Marchant; 29375, 6th April; (58, 13th July).*

Rim (see Detachable rim).

Road-sweeper; J. T. Whittome; 29457, 28th April; (46, 1st June).

Roller-bearing; Collett and Son, Limited; 29634, 30th May; (65, 10th August).

Roller and scraper (see Agricultural implement).

Roller-skate; J. Galbraith; 29446, 25th April; (42, 18th May).*

Roofing-tile; E. L. Wright; 29799, 30th June; (65, 10th August).*

Rotary engine; E. J. Bridgman; 29806, 30th June; (62, 27th July).*

Rotary motor; G. W. Mascord; 27578, 19th April, 1910; (33, 20th April).

Rotor (see Turbine-rotor).

Route-chart for vehicles (see Chart, &c.).

Rug (see Animal-rug).

Saddle; L. F. C. Haverland and J. H. Thomas; 28377, 2nd September, 1910; (46, 1st June).

Sample envelope or wrapper (see Grain-sample envelope, &c.).

Sanitary apparatus; H. Mouat; 29741, 19th June; (62, 27th July).*

Sash (see Window-sash).

Sash-bar jointing, metal; A. Woolnough; 29436, 26th April.

Sash-raiser (see Window-rail and sash-raiser).

Sawbench-feed; C. Uddstrom; 28258, 10th August, 1910; (53, 29th June).

Saw, circular; V. Sorenson; 29666, 2nd June; (69, 24th August).*

Saw, fitching; E. A. Coppill; 29447, 27th April; (46, 1st June).*

Scaffold-hanger; J. D. Smith; 29762, 21st June; (69, 24th August).*

Scaling-tool, rapid action (see Boiler-tubules, scaling).

Scarifying (see Burnishing, &c.).

School-desk; S. Barningham; 29770, 20th June; (69, 24th August).

Sciatica, &c., cure (see Rheumatism, &c., cure).

Scoop (see Wheel-scoop).

Screw-nail; H. F. Sherwood-King; 29701, 7th June; (62, 27th July).*

Screw plug and socket (see Liquids, screw-plug, &c.).

Seasoning timber; A. J. Eggleton; 29420, 19th April; (53, 29th June).*

Seat, spring; H. Drouleige; 29621, 29th May; (58, 13th July).*

Seating, steel; E. J. Bickford; 29784, 28th June; (69, 24th August).

Section-insulator (see Insulator, &c.).

Separator (see Centrifugal separator; Electric battery, &c., separator; Milk-separator).

Settling-apparatus; J. V. N. Dorr; 29389, 11th April; (42, 18th May).*

Sewerage system; I. Shone; 29439, 30th April, 1910†; (42, 18th May).

Sewing-machine (see also Boot-sewing machine).

Sewing-machine; F. J. T. and H. C. Bell and J. Brandwood; 29683, 22nd June, 1910†; (62, 27th July).

Sewing pile-surface on mat, &c.; G. L. Burton and T. H. O'Donnell; 29471, 29th April.

Shearing-machine (see Sheep, &c., shearing machine).

Sheaf-elevator (see Threshing-machine sheaf-elevator).

Sheep-drying prior to shearing (see Drying fleeces, &c.).

Sheep-shearing machine; G. Massey; 28121, 21st July, 1910; (50, 15th June).

Sheep, &c., shearing machine, driving-gear; F. J. S. Caverhill; 29461, 28th April; (42, 18th May).*

ALPHABETICAL LIST OF INVENTIONS—*continued.*

Sheep, &c., shearing machine, driving-gear joint; J. Davidson; 29441, 15th July, 1910†; (46, 1st June).

Sheep, &c., shearing machine, sharpening cutters; W. J. Tinline; 28099, 18th July, 1910; (37, 4th May).

Sheep, &c., shearing machine, starting and stopping; T. D. and F. R. McLean; 29297, 21st March; (46, 1st June).*

Sheet (see Printer's sheet).

Ship's engine, controlling (see Marine-engine racing, preventing).

Ship's hatch, cover-securing; J. H. P. Hendriksen; 29727, 15th June; (58, 13th July).*

Ship's hatch, cover-securing; J. H. P. Hendriksen; 29728, 15th June; (58, 13th July).*

Shirt, &c., neckbands; S. Lever; 29394, 4th July, 1910†; (42, 18th May).

Shoe (see Boot).

Show-stand, window; J. C. Powell; 29537, 10th May.

Sight (see Gun-sight).

Signalling (see Railway-rail contacts, Railway-signalling).

Silicates, hydrated alumino, manufacture (see Zeolites-manufacture).

Single-track vehicle (see Mono-rail vehicle).

Sink-outlet strainer; H. A. Peters; 29751, 20th June; (65, 10th August).

Skate (see Roller-skate).

Skein-winder; T. Richardson; 29502, 2nd May; (72, 7th September).

Skirt-support, &c.; J. A. Roth; 29746, 1st February†; (62, 27th July).

Skylight; C. H. Fabian; 28125, 21st July, 1910; (50, 15th June).

Sleeve-links, inserting in cuffs; W. L. and J. K. B. Lister; 29652, 11th October, 1910†; (53, 29th June).

Slipping-prevention (see Mat-slipping prevention).

Soap; G. R. Fulyer; 29387, 10th April; (46, 1st June).*

Soda, potash, or lime-acetate preparing; H. M. Levinge; 29804, 30th June.

Softening-machine (see Washing, &c., machine).

Soil-spreader, &c. (see Tool, &c.).

Solder; C. A. W. Hargraves and F. C. P. Fiddy; 29782, 24th June; (69, 24th August).

Spanner; W. Eggleton; 29398, 13th April; (46, 1st June).

Spare rim (see Detachable rim).

Spark-arrester; P. E. Cunningham, R. Reid, and V. M. FitzHugh; 29715, 13th June; (58, 13th July).

Spark-arrester; C. Hogan; 27614, 22nd April, 1910; (33, 20th April).

Spark-arrester; W. Manser; 29564, 18th May; (50, 15th June).

Spark-arrester; C. J. Green; 27537, 11th April, 1910; (37, 4th May).*

Spark-arrester; W. Manser; 29564, 18th May; (50, 15th June).

Spark-arrester; W. McPherson; 29404, 12th April; (42, 18th May).*

Spark-extinguisher; C. J. Green; 27537, 11th April, 1910; (37, 4th May).

Spreader (see Fencing-dropper, Leading-chain spreader).

Stability, imparting and maintaining (see Mono-rail vehicle).

Stamp-cancelling machine (see Franking-machine).

Stamping-machine (see Franking-machine).

Standard (see Clothes-line standard, Fence-standard).

Stand (see Dress form or stand).

Statement form, &c.; J. G. Cooper, F. G. and R. E. Alpe; 29282, 18th March; (50, 15th June).

Steam-hammer, &c., rapid action; W. H. Cheyne and G. R. Mewburn; 29440, 26th April; (42, 18th May).

Steam-propulsion; H. K. McDougall; 29662, 31st May; (58, 13th July).*

Steel-manufacture; (see Iron, &c., manufacture).

Step-construction (see Concrete-step construction).

Sterilizing (see Pasteurizing).

Stirrup-iron; G. C. Kerse; 29626, 29th May.

Stirrup-leather, releasing; H. J. McBeth and T. M. Taylor; 27948, 23rd June, 1910; (46, 1st June).

Stocking-support; M. E. Budge; 29356, 3rd March; (42, 18th May).*

Stocks for animals; T. Firth; 29639, 30th May; (62, 27th July).

Storage-chamber; E. G. Stone; 29460, 28th April; (42, 18th May).*

Stove, water-heater attachment (see Water-heating attachment).

Strain-indicator (see Derrick strain-indicator).

Strainer (see Milk-can strainer, Milk-strainer, Sink-outlet strainer, Wire-strainer).

Street-channel bridge; J. M. Rowe; 29582, 20th May; (58, 13th July).*

Streets, sprinkling or watering; C. O'Malley; 27953, 23rd June, 1910; (42, 18th May).

ALPHABETICAL LIST OF INVENTIONS—*continued.*

Studs (see Building-studs, &c.).

Sulky (see Dust-protector for).

Sun-blind; W. C. Gee and W. Godfrey; 29345, 30th March; (42, 18th May).*

Sugar-manufacture; Henning Process Sugar Extraction Company; 29408, 13th April; (46, 1st June).

Surrounds (see Concrete surrounds, &c.).

Suspended railway (see Aerial railway).

Suspender-garter for stockings; H. Fenton; 29724, 15th June; (58, 13th July).

Sweeping-machine (see Road-sweeper).

Swing baby-cradle frame; A. McLaughlin; 29468, 1st May; (46, 1st June).*

Swingletree; W. Reeves; 29531, 12th May; (46, 1st June).*

Switch (see Electric-lamp-holder switch).

Synchronizing the working of machinery; E. S. Donisthorpe; 29414, 19th April; (42, 18th May).

Syringe, garden; J. R. Bullen; 29698, 5th June; (58, 13th July).*

Table (see also Boot-clicking block or table, Post-office facing-up table).

Table, extensor; J. Townley and W. J. Sharples; 29536, 9th May; (62, 27th July).

Table game and apparatus; J. Leonard; 27767, 24th May, 1910; (37, 4th May).

Tachytelegraph, &c., machine; E. Belin; 29714, 13th June; (62, 27th July).

Tacking-machine (see Boot-machine, lasting and tacking).

Tag (see Label, &c.).

Tail-holder (see Cow's-tail holder).

Talking-machine (see Phonograph).

Tank, &c.; J. D. and A. McLaurin; 28054, 12th July, 1910; (37, 4th May).

Target, rifle range, &c.; A. N. Whitney; 28943, 4th January; (42, 18th May).

Tea-infuser (see Billy-can and tea-infuser).

Tea-tasters' testing-kit; A. A. Carson; 29546, 16th May.

Teat-cup (see Milking-machine teat-cup).

Teats, soreness, curing; A. E. Baylis; 29568, 18th May.

Telegraph form (see Letter-sheet and envelope).

Telegraph form, folding (see Folding-machine for forms, &c.).

Telegraph-wire, connecting ends; F. Andrews; 29169, 23rd February; (42, 18th May).*

Telephone-disinfectant; C. E. Young; 29314, 23rd March; (42, 18th May).*

Telephone-exchange system; E. E. Clement; 29478, 2nd May; (50, 15th June).

Telephone-mouthpiece disinfectant; A. D. Clemett and W. Broadbent; 29299, 21st March; (42, 18th May).*

Teletype, &c., machine; E. Belin; 29714, 13th June; (62, 27th July).

Tennis-racquet; C. G. McKellar; 28918, 21st December, 1910; (42, 18th May).

Threshing-machine drum; M. Crowley; 29759, 19th June; (62, 27th July).*

Threshing-machine sheaf-elevator; A. Werner; 29289, 20th March; (42, 18th May).

Tile (see Roofing-tile).

Tile-manufacture (see Concrete, brick, &c., machine).

Timber-loading bracket; A. McLaurin; 29644, 31st May; (62, 27th July).*

Tin-opener; R. J. Kitching; 29623, 29th May; (62, 27th July).*

Tin-piercer (see Kerosene-pump, tin-piercer).

Tin (see Boot-polish, &c., tin; Lid for tin).

Tire, air-tube; W. Maxwell; 29597, 3rd July; (62, 27th July).*

Tire-cover; S. G. Pirani; 29513, 5th May; (46, 1st June).*

Tire-inflater; E. C. Austin; 28815, 1st December, 1910; (42, 18th May).*

Tire-inflater; H. Mander and G. Sander; 29494, 2nd May.

Tire-inflating while in motion; J. I. Rodway and J. Esson; 29026, 28th February, 1910†; (46, 1st June).

Tire-rim, detachable (see Detachable rim).

Tire, solid rubber, jointing; J. C. and H. H. Burton; 29495, 4th May; (58, 13th July).

Toaster, reversible; H. Neville and G. B. Lusk; 29696, 6th June.

Toe-block (see Boot-toe block).

Tool, combination; W. M. Mackintosh and T. Walton; 28663, 2nd November, 1910; (42, 18th May).

Tool, soil-spreading, &c.; R. Hansen; 29649, 31st May.

Toy, dancing figure; G. Young; 29576, 16th May.

Train-signalling (see Railway-signalling).

Tramcar; W. M. Nelson; 29629, 29th May; (58, 13th July).*

Tramcar-rail attachment; J. S. Wearn; 29294, 20th March; (42, 18th May).*

Trap (see Bird-trap, Rat-trap, Vermin-trap).

ALPHABETICAL LIST OF INVENTIONS—*continued.*

Trap-peg (see Peg, &c.).
 Tray (see Cash-tray).
 Trolley-pole controller; T. W. Potts; 29359, 3rd April; (33, 20th April).
 Trumpet (see Ear-trumpet).
 Trunk, &c., fastening; G. Nesbitt; 29566, 18th May; (50, 15th June).
 Tube-outlet (see Collapsible-tube outlet).
 Turbine, rotor; R. M. Waugh and A. J. Bedford; 29586, 19th May; (65, 10th August).
 Turnip digger and slicer; A. Behrens; 29535, 11th May; (50, 15th June).
 Turning machinery (see Wood-turning machinery).
 Tussock, &c., remover; J. O. Gardner; 29795, 28th June; (62, 27th July).
 Tuyere (see Ore-furnace, &c., tuyere).
 Tyre (see Tire).

Umbrella, &c.; L. W. Marcker and S. J. V. Hansen; 29563, 18th May; (50, 15th June).
 Undercarriage (see Go-cart, &c., undercarriage; Vehicle).
 Union (see Hose-pipe union).
 Urn, coffee and milk; M. A. Trent; 29704, 9th June; (58, 13th July).
 Vacuum-pump; O. Tapp; 27879, 10th June, 1910; (30, 20th April).
 Vacuum-valve; E. J. and D. H. Armstrong; 29397, 13th April; (46, 1st June).
 Vacuum-valve; E. J. Armstrong; 29733, 17th June; (62, 27th July).
 Valve (see Air-pump, &c., valve; Internal-combustion-engine rotary valve; Vacuum-valve).
 Vapourizer (see Hydrocarbon vapourizer).
 Vat, &c.; J. D. and A. McLaurin; 28054, 12th July, 1910; (37, 4th May).
 Vehicle; J. J. Charley; 29520, 10th May; (65, 10th August).
 Vehicle; J. J. Charley; 29677, 6th June; (53, 29th June).
 Vehicle; J. J. Charley; 29678, 6th June; (53, 29th June).
 Vehicle-brake; P. Lanigan; 29647, 6th July; (62, 27th July).
 Vehicle-jack (see Lifting-jack).
 Vehicle-route chart, &c. (see Chart, &c.).
 Vehicle-wheel construction (see Wheel-construction).
 Veil-fixing for hat; T. Richardson; 29501, 2nd May; (46, 1st June).
 Venetian-blind operating; J. Armstrong and W. G. Joy; 29766, 20th June; (62, 27th July).
 Ventilating mines, tunnels, &c.; A. McLeod; 29709, 5th June; (53, 29th June).
 Ventilation, double current; H. I. M. Ross; 28699, 3rd November, 1910; (37, 4th May).
 Vermin-proof corrugated iron; E. G. Sander and H. F. Mander; 27783, 24th May, 1910; (50, 15th June).
 Vermin-trap; C. J. Cooze; 29739, 19th June; (58, 13th July).
 Vermin-trap; W. Fitzgerald; 29692, 7th June; (58, 13th July).
 Vice (see Bench-vice).
 Voltmeter (see Ammeter and voltmeter).

Waist-holder (see Blouse or waist holder).
 Wall-construction (see Concrete wall, hollow; Reinforced-concrete walls, &c.).
 Wall-tie; W. D. Wilson; 29725, 13th June; (65, 10th August).
 Warming footwear (see Boot-warming, &c.).
 Washer (see Boiler and washer, Clothes-washer).
 Washing-board scrubbing-attachment; J. A. Nuttall; 29444, 26th April; (46, 1st June).
 Washing, dyeing, and softening machine; W. G. Gibbins; 29774, 2nd July, 1910; (69, 24th August).
 Washing table utensils, &c.; W. J. Nicol; 29790, 29th June; (69, 24th August).
 Water-closet flush; W. Beamish; 29561, 16th May; (50, 15th June).
 Water-closet flush; J. J. Blockley; 28355, 29th August, 1910; (46, 1st June).
 Water-closet flush; F. Stubbs; 28751, 16th November, 1910; (42, 18th May).
 Water-closet flush; F. Stubbs; 29280, 18th March; (42, 18th May).
 Water-closet flush; W. Turnbull; 29600, 24th May; (53, 29th June).

ALPHABETICAL LIST OF INVENTIONS—*continued.*

Water-closet flush; C. W. Wild; 29589, 23rd May; (53, 29th June).
 Water-closet flush, disinfecting; A. A. Allan; 29390, 11th April; (42, 18th May).
 Water-closet flush-valve; P. Murphy; 29373, 6th April; (50, 15th June).
 Water, distributing through pipes; J. Mosley; 29281, 18th March; (42, 18th May).
 Water-heater; A. J. Hainsworth; 29433, 25th April; (42, 18th May).
 Water-heater; P. Murphy; 29606, 25th May; (53, 29th June).
 Water-heater; L. Paget; 29391, 11th April; (65, 10th August).
 Water-heater; A. H. Wright; 29549, 13th May; (58, 13th July).
 Water-heater, &c.; A. H. Wright; 29640, 29th May; (62, 27th July).
 Water-heater, controlling gas and water; P. Murphy; 29607, 25th May; (58, 13th July).
 Water-heating attachment to stoves, &c.; W. T. Carling; 28998, 17th January; (42, 18th May).
 Water-softening; J. D. Riedel Aktiengesellschaft; 29743, 20th June.
 Watering streets (see Streets, sprinkling or watering).
 Wheel (see also Detachable rim for tires).
 Wheel; W. Hughson; 29432, 25th April; (42, 18th May).
 Wheel construction, vehicle-; W. Reaves; 29365, 4th April; (42, 18th May).
 Wheel, motor-car; R. W. Davies; 29368, 3rd April; (42, 18th May).
 Wheel, resilient; T. Grace; 29527, 11th May.
 Wheel, spring; H. C. Kennedy; 29438, 29th July, 1910; (50, 15th June).
 Wheel, steel or metal; R. J. L. Hildyard; 28613, 20th October, 1910; (33, 20th April).
 Wheel-scoop; T. Branton; 29661, 1st June; (53, 29th June).
 Wheel, vehicle-; L. Forse, J. A. Mayo, and F. S. Spiller; 29682, 8th June, 1910.
 Wheelbarrow; J. W. Tong; 29326, 27th March; (42, 18th May).
 White-lead manufacture; W. A. Fraser; 29518, 9th May; (53, 29th June).
 Window anti-rattler; T. McGann and R. G. Pitts; 29343, 29th March; (42, 18th May).
 Window, &c., fastener; M. R. Varnham; 29614, 27th May; (53, 29th June).
 Window-rail and sash-raiser; J. Taylor; 29293, 20th March; (42, 18th May).
 Window sash-cord attaching; J. A. Walker; 29506, 3rd May; (50, 15th June).
 Window sash-cord fastener; W. Sinton; 29777, 24th June; (62, 27th July).
 Window-sash fitting; J. Fraser; 29768, 21st June; (65, 10th August).
 Window-sash frame; J. A. Walker; 29697, 5th June; (58, 13th July).
 Window-surrounds (see Concrete surrounds, &c.).
 Wire coiler and uncoiler; V. J. McNulty; 29633, 30th May; (53, 29th June).
 Wire coiling and uncoiling; F. Sutton; 28136, 23rd July, 1910; (46, 1st June).
 Whip, fastening to handle; H. H. Gilshnan; 27684, 5th May, 1910; (42, 18th May).
 Wire (see Telegraph-wire).
 Wire-strainer; G. J. Cocks; 29688, 7th June.
 Wire-strainer; D. Donald; 29684, 6th June; (58, 13th July).
 Wire-strainer; H. Jensen; 29617, 27th May; (53, 29th June).
 Wire-strainer; J. J. Keppel; 27307, 11th April, 1910; (33, 20th April).
 Wire-strainer; J. D. McLaren; 29689, 7th June; (58, 13th July).
 Wire-strainer; W. Scott; 29705, 9th June; (62, 27th July).
 Wire-strainer; W. Scott; 29729, 15th June.
 Wood-turning machinery; E. Hodge; 29287, 17th March; (42, 18th May).
 Wool-dryer feeder; J. Allen; 29371, 5th April; (42, 18th May).
 Wool-rack, sheep-shearing; E. A. Williams; 29776, 24th June; (62, 27th July).
 Wrapper (see Grain-sample envelope, &c.; Paper-wrapper).
 Wrapping, &c., newspapers (see Folding- and -wrapping machine).
 Zeolites-manufacture; J. D. Riedel Aktiengesellschaft; 29743, 20th June.

Alphabetical List of Applicants for Registration of Trade Marks.

A LPHABETICAL List of Applicants for registration of Trade Marks for quarter ended 30th June, 1911 (including also applications lodged prior to but gazetted during such quarter). The first number and date are those of the application, the second those of the *Gazette*.

* Denotes a prior date under the International and Inter-colonial arrangements.

- Adams, A., and Co., Melbourne, Victoria; (13); 9735, 23rd June.
- Aktiengesellschaft Vormals Seidel and Naumann, Dresden, Germany; (6); 9616, 8th May; 46, 1st June.
- Aktiengesellschaft Vormals Seidel and Naumann, Dresden, Germany; (6); 9617, 8th May.
- Alaska Packers' Association, San Francisco, United States America; (42); 9705, 9707, 9708, 7th June; 53, 29th June.
- Alaska Packers' Association, San Francisco, United States America; (42); 9706, 7th June; 53, 13th July.
- Alaska Packers' Association, San Francisco, United States America; (42); 9009, 6th December, 1910; 50, 15th June.
- Anderson and Miskin, Vancouver, British Columbia; (42); 9459, 11th March; 42, 18th May.
- Ansell and Spencer, Auckland, New Zealand; (5); 9522, 4th April; 33, 20th April.
- Anti-rheu-gem Company (see A. Constantine).
- Archer and Halliburton, Christchurch, New Zealand; (2); 9602, 28th April; 42, 18th May.
- Ardath Tobacco Company, London, England; (45); 9351, 1st February; 42, 18th May.
- A/S Hurum Fabriker Jeloer, Norway; (50); 9251, 20th December, 1910; 53, 29th June.
- Ash, C., Sons, and Co., Limited, London, England; (11); 9679, 6th June; 75, 21st September.
- Auckland Fibrous Plaster Company, Limited (late Wardrop and Wallace); (17); 9609, 4th May; 58, 13th July.
- Austral Aerated Water Company, Wellington, New Zealand; (44); 9718, 19th June; 62, 27th July.
- Australian Embosteel Ceiling Company (see J. D. and H. P. Wormald).
- Baillie, J., Hamilton, New Zealand; (2); 9715, 15th June; 53, 29th June.
- Baillie, J., Hamilton, New Zealand; (3); 9716, 15th June; 58, 13th July.
- Barlock Typewriter Company, Limited, London, England; (6); 9740, 29th June.
- Barnett, W., Christchurch, New Zealand; (3); 9648, 24th May; 53, 29th June.
- Barracough, A. S., "Barracough Herbal Proprietary," Wellington, New Zealand; (3); 9487, 21st March; 42, 18th May.
- Barracough Herbal Proprietary (see A. S. Barracough).
- Baylis, A. E., Pihama, New Zealand; (2); 9628, 12th May; 46, 1st June.
- Birmingham Small-arms Company, Limited, Birmingham, England; (19); 9731, 23rd June; 53, 13th July.
- Blythe, A. J. S., Te Awamutu, New Zealand; (50); 9632, 15th May; 46, 1st June.
- Bock, P., "P. Bock and Co.," Auckland, New Zealand; (50); 9649, 25th May.
- Bock, P., and Co. (see P. Bock).
- Braadland, J., Limited, Stavanger, Norway; (42); 9569, 20th April; 46, 1st June.
- Braadland, J., Limited, Stavanger, Norway; (42); 9619, 9th May; 42, 18th May.
- Brace, Windle, Blyth, and Co., Limited, Dunedin, New Zealand; (37); 9561, 12th April; 33, 20th April.
- Brennecke, A., "A. Brennecke and Co.," London, England; (15); 9610, 5th May; 42, 18th May.
- Brennecke, A., and Co. (see A. Brennecke).
- Brighton, W. A., and another, "Hodgson, Brighton, and Co.," Wanganui, New Zealand; (50); 9565, 19th April.
- Brin, J. (see J. Brinsmead).
- Brinsmead, J., "J. Brin," Malvern, Victoria; (3); 9651, 25th May; 50, 15th June.
- Briscoe and Co., Limited, Wellington, New Zealand; (5); 9691, 7th June; 65, 10th August.
- British-American Tobacco Company, Limited, London, England; (45); 9743, 29th June.
- Brooks, H., and Co., London, England; Sydney, New South Wales; Melbourne, Victoria; Perth, Western Australia; Wellington, New Zealand; (16); 9722, 20th June; 53, 29th June.
- Brown, R., Limited, Glasgow, Scotland; and London, England; (43); 9598, 28th April; 42, 18th May.
- Budd, A. E., and Co., Wellington, New Zealand; (13); 9521, 3rd April; 33, 20th April.
- B. V. D. Company, New York, United States America; (38); 9608, 4th May; 62, 27th July.
- APPLICANTS FOR REGISTRATION OF TRADE MARKS—*contd.*
- Caldwell's Inks Proprietary, Limited, Melbourne, Victoria; (50); 9482, 18th March; 46, 1st June.
- Carreras, Limited, London, England; (45); 9599, 28th April; 42, 18th May.
- Carreras, Limited, London, England; (45); 9720, 20th June.
- Caselberg and Co., Wellington, New Zealand; (47); 9566, 19th April; 42, 18th May.
- Caselberg and Co., Wellington, New Zealand; (42); 9664, 29th May; 50, 15th June.
- Ceylon Tea Company (see D. Hutcheon and W. Hay).
- Chappell, Allen, and Co., Limited, Redfield, England; (38); 9336, 9337, 9338; 24th January; 46, 1st June.
- Chocqueel, A., Waikato, New Zealand; (45); 9499, 29th May; 53, 29th June.
- Clayton, C. W., Wanganui, New Zealand; (38); 9579, 25th April; 50, 15th June.
- Cohen and Wilks (see P. M. Cohen).
- Cohen, P. M., "Cohen and Wilks," Manchester, England; (38); 9620, 9th May; 46, 1st June.
- Collier, R., Clinton, New Zealand; (3); 9730, 23rd June; 62, 27th July.
- Comstock, W. H. Company, Limited, Morriscown, United States America; (3); 9668, 9669, 1st June; 50, 15th June.
- Constantine, A., "Anti-rheu-gem" Company; (11); 9644, 23rd May; 46, 1st June.
- Crown Perfumery Company, London, England; (48); 9189, 25th November, 1910; 53, 29th June.
- Daimler Motoren-Gesellschaft, Stuttgart, Germany; (6), (13), (22); 9732, 9733, 9734, 23rd June.
- Dalley, F. F., and Co., of Hamilton, Limited, Hamilton, Canada; (50); 9581, 26th April.
- Davies, E. B., "Davies Pharmacy," Wanganui, New Zealand; (3); 9741, 29th June; 62, 27th July.
- Davies, E. B., "Davies Pharmacy," Wanganui, New Zealand; (48); 9742, 29th June; 58, 13th July.
- Denton Hat Mills, Limited, Dunedin, New Zealand; (38); 9543, 6th May; 42, 18th May.
- Dinnan, Vinsen, and Watson, "Union Store," Wanganui, New Zealand; (42); 9663, 29th May.
- Director of Tourist and Health Resorts of the Department of Agriculture, Commerce, and Tourists, Wellington, New Zealand; (42); 9615, 6th May; 53, 29th June.
- Donnelly, G. P., Taradale, New Zealand; (4); 9541, 8th April; 33, 20th April.
- Downes, H., and another, Wellington, New Zealand; (39); 9589, 27th April; 37, 4th May.
- Dresden Pianoforte Manufacturing and Agency Company, Limited, Dunedin and elsewhere, New Zealand; (9); 9603, 29th April; 62, 27th July.
- Dresden Pianoforte Manufacturing and Agency Company, Limited, Dunedin and elsewhere, New Zealand; (8); 9604, 29th April; 65, 10th August.
- Dunlop Rubber Company of Australasia, Limited, Melbourne, Victoria; (38); 9275, 29th December, 1910; 28, 6th April.
- Dutton, R. A. and E., Auckland, New Zealand; (2); 9667, 1st June; 50, 15th June.
- Edgar and Company, Limited, London, England; (39); 9711, 10th June; 53, 29th June.
- Ehrich and Graetz, Berlin, Germany; (13); 9533, 6th April; 62, 27th July.
- Ellis and Manton, Wellington, New Zealand; (47); 9638, 18th May; 46, 1st June.
- Ellis and Manton, Wellington, New Zealand; (47); 9701, 7th June.
- Ellis and Manton, Wellington, New Zealand; (47); 9702, 7th June; 50, 15th June.
- Empire Manufacturing Company, Limited, Wellington, New Zealand; (42); 9675, 2nd June; 75, 21st September.
- Fiddy, F. C. P., and another, Gisborne, New Zealand; (5); 9746, 30th June; 62, 27th July.
- French, E. J., Auckland, New Zealand; (47); 9725, 21st June; 53, 29th June.
- Gaut, J., and another, Sydney, New South Wales; (6); 9607, 4th May; 42, 18th May.
- Gibbs, D. and W., Limited, London, England; (48); 9635, 16th May; 46, 1st June.
- Globe Chemical Works, San Francisco, United States America; (2); 9682, 6th June.
- Gollin and Co. Proprietary, Limited, Wellington, New Zealand; (42); 9692, 9693, 7th June; 50, 15th June.
- Goodacre, H., New Plymouth, New Zealand; (50); 9717, 17th June; 72, 7th September.
- Gossling, P. J., and another, Wellington, New Zealand; (39); 9589, 27th April; 37, 4th May.
- Gow and Ross (see J. Watson and Co., Limited).
- Gross, Sherwood, and Heald, Limited, Barking, England; (1); 9612, 9613, 5th May; 42, 18th May.

APPLICANTS FOR REGISTRATION OF TRADE MARKS—*contd.*

Hamilton and Co. (London), Limited, London, England; (39); 9652, 25th May; 50, 15th June.

Hamilton and Co. (London), Limited, London, England; (50); 9653, 9654, 9655, 25th May; 50, 15th June.

Hancock and Co. (New Zealand), Limited, Auckland, New Zealand; (44); 9537, 7th April; 37, 4th May.

Hardy, E. H., Te Kuiti, New Zealand; (47); 9552, 9553, 9554, 11th April; 33, 20th April.

Hardy, E. H., Te Kuiti, New Zealand; (4); 9555, 11th April; 37, 4th May.

Hargraves, C. A. W., and another, Gisborne, New Zealand; (5); 9746, 30th June; 62, 27th July.

Hay, W., and another, "Ceylon Tea Company," Wellington, New Zealand; (42); 9645, 23rd May; 46, 1st June.

Hayman, P., and Co., Wellington, New Zealand; (50); 9559, 11th April; 33, 20th April.

Heering, P. F., Copenhagen, Denmark; (43); 9587, 27th April.

Heilbron, D., and Sons, Glasgow, Scotland; (43); 9623, 10th May; 65, 10th August.

Hodgson, Brighton, and Co. (see V. H. Hodgson and W. A. Brighton).

Hodgson, V. H., and another, "Hodgson, Brighton, and Co.;" (50); 9565, 19th April.

Holzapfels, Limited, Newcastle-on-Tyne, England; (50); 9723, 20th June; 53, 29th June.

Houten (see Van Houten).

Humphrey, Taylor, and Co., Limited, London, England; (43); 9658, 25th May; 50, 15th June.

Hutcheon, D., and another, "Ceylon Tea Company," Wellington, New Zealand; (42); 9645, 23rd May; 46, 1st June.

Huxtable, A. M., Dunedin, New Zealand; (3); 9549, 28th June; 62, 27th July.

Hyams, E. J., Wellington, New Zealand; (50); 9519, 1st April; 33, 20th April.

Irvine and Stevenson's St. George Company, Limited, Dunedin, New Zealand; (42); 9747, 30th June; 58, 13th July.

Jackson and Macdonald, Sydney, New South Wales; (8); 9714, 14th June; 53, 29th June.

Japanol Enamel Company (see D. and D. H. Vettewinkel).

Kabo Corset Company, Chicago, United States America; (38); 9721, 20th June; 53, 29th June.

Kelly, G., Wanganui, New Zealand; (50); 9536, 7th April.

Kelly, G. F., Auckland, New Zealand; (50); 9627, 11th May; 46, 1st June.

Kinloch, C., and Co., Limited, London, England; (43); 9703, 7th June; 65, 10th August.

Kodak Australasia, Limited, Wellington, New Zealand; (1); 9697, 7th June; 53, 29th June.

Kodak Australasia, Limited, Wellington, New Zealand; (15); 9699, 7th June; 53, 29th June.

Kodak Australasia, Limited, Wellington, New Zealand; (39); 9696, 9698, 7th June; 53, 29th June.

Kodak Australasia, Limited, Wellington, New Zealand; (39), (1), (1); 9694, 9695, 9700, 7th June.

Korth, A. H., Auckland, New Zealand; (17); 9621, 10th May; 58, 13th July.

Kullmann, C. et Cie, Brussels, Belgium; (38); 9355, 1st February; 46, 1st June.

Langguth and Co., Auckland, New Zealand; (42); 9446, 10th March; 53, 29th June.

Langguth and Co., Auckland, New Zealand; (42); 9458, 11th March; 50, 15th June.

"Laxette" Manufacturing Company, Melbourne, Victoria; (3); 9568, 20th April; 50, 15th June.

Leethem, C., and Co., Portsmouth, England; (38); 9259, 29th December, 1910; 42, 18th May.

Leethem, C., and Co., Portsmouth, England; (38); 9262, 29th December, 1910; 46, 1st June.

Lever Bros., Limited, Balmain, New South Wales; (47); 9570, 9572, 9574, 20th April; 37, 4th May.

Lever Bros., Limited, Balmain, New South Wales; (48); 9571, 9573, 9575; 20th April; 37, 4th May.

Lever Bros., Limited, Balmain, New South Wales; (47); 9704, 7th June; 53, 29th June.

Locke, Blackett, and Co., Limited, Newcastle-upon-Tyne, England; (1); 9726, 21st June; 58, 13th July.

Locke, Blackett, and Co., Limited, Newcastle-upon-Tyne, England; (1); 9727, 21st June; 62, 27th July.

Lonsdale, H. E., Christchurch, New Zealand; (14); 8832, 22nd June; 10, 33, 20th April.

Macfarlane, W. A. and J. A., Te Aute, New Zealand; (4); 9567, 19th April; 42, 18th May.

Mackenzie, Grant, and Co., Glasgow, Scotland (43); 9624, 10th May; 46, 1st June.

APPLICANTS FOR REGISTRATION OF TRADE MARKS—*contd.*

MacKerras and Hazlett, Limited, Dunedin, New Zealand; (42); 9713, 14th June; 53, 29th June.

Mackintosh, J., Limited, Halifax, England; (42); 9584, 26th April; 37, 4th May.

Mann, Byars, and Co., Glasgow, Scotland; (38); 9585, 26th April.

Marshall's Proprietary Company, Limited, Dunedin, New Zealand; (2); 9724, 20th June; 53, 29th June.

Martin, Sons, and Co., Dunedin, New Zealand; (34); 9548, 10th April; 46, 1st June.

Maspero Freres, Limited, London, England; (45); 9686, 6th June; 53, 29th June.

Mau, J. H., Ballarat, Victoria; (42); 9670, 1st June.

McGill, J., "Watson and McGill," Petersburg, United States America; (45); 9674, 1st June.

McPhee, C., and Co., Wellington, New Zealand; (34); 9666, 30th May; 50, 15th June.

Meadows, F. N. R., Wellington, New Zealand; (42); 9672, 1st June; 50, 15th June.

Meadows, F. N. R., Wellington, New Zealand; (42); 9673, 1st June; 53, 29th June.

Menley and James, Limited, London, England; (3); 9334, 24th January; 42, 18th May.

Miehle Printing Press and Manufacturing Company, Chicago, United States America; (6); 9540, 7th April; 33, 20th April.

Montgomerie, Stobo, and Co., Limited, Glasgow, Scotland; (47); 9661, 27th May; 50, 15th June.

Needham, Veall, and Tyzaack, Limited, Sheffield, England; (12); 9421, 9423, 2nd March; 46, 1st June.

Needham, Veall, and Tyzaack, Limited, Sheffield, England; (14); 9422, 9424, 2nd March; 50, 15th June.

Neil, J., Limited, Dunedin, New Zealand; (2); 9545, 10th April; 33, 20th April.

Neil, J., Limited, Dunedin, New Zealand; (43); 9546, 10th April; 72, 7th September.

Neil, J., Limited, Dunedin, New Zealand; (43), (44); 9547, 10th April; 58, 13th July.

Neil, J., Limited, Dunedin, New Zealand; (3); 9736, 26th June; 58, 13th July.

Neil, J., Limited, Dunedin, New Zealand; (42); 9737, 26th June; 62, 27th July.

Neil, J., Limited, Dunedin, New Zealand; (44); 9738, 26th June.

Newberry, Walker, and Co., Dunedin, New Zealand; (18); 9606, 4th May; 42, 18th May.

New York and London Drug Company, New York, United States America; (3), (48); 9728, 9729, 21st June; 58, 13th July.

Ngawaka, I. K., and Co., Hokianga, New Zealand; (3); 9665, 30th May; 50, 15th June.

North British Rubber Company, Limited, Edinburgh, Scotland; (40); 9744, 9745, 30th June.

North Bros. Manufacturing Company, Philadelphia, United States America; (13); 9223, 8th December, 1910; 42, 18th May.

Oban Patent Neckwear Company, Limited, Sydney, New South Wales; (38); 9558, 11th April; 33, 20th April.

O'Brien, M., and Co., Limited, Christchurch, New Zealand; (38); 9688, 9689, 9690, 7th June.

Ord Distillery Company (see J. Watson and Co., Limited).

Orr, R. G., London, England; (4); 9634, 16th May.

Oxygenator Company, Buffalo, United States America; 9650, 25th May.

Pacific Mills, Boston, United States America; (34); 9659, 25th May; 69, 24th August.

Pacific Mills, Boston, United States America; (34); 9660, 25th May.

Palmer, M. H., Westport, New Zealand; (48); 9544, 10th April; 37, 4th May.

Parkmore Glenlivet Distillery Company (see J. Watson and Co., Limited).

Parton, W., and Son, Wellington, New Zealand; (13), (18); 9629, 9630, 13th May; 46, 1st June.

Pearson's Antiseptic Company, Limited, London, England; (2); 9586, 27th April; 37, 4th May.

Perks, Dane, and Co. Proprietary, Limited, Melbourne, Victoria; (47); 9639, 19th May; 46, 1st June.

Permanent Decorative Glass Company, Limited, Lancaster, England; (16); 9524, 6th April; 33, 20th April.

Phoenix Knitting-works, Milwaukee, United States America (38); 9580, 25th April; 42, 18th May.

Phoenix Knitting-works, Milwaukee, United States America; (38); 9594, 27th April; 42, 18th May.

Pickles, J., and Son (see J. E. Pickles and Co.).

APPLICANTS FOR REGISTRATION OF TRADE MARKS—*contd.*

Pickles, J. E., and Co., Bradford, England; "Pickles, J., and Son," Sydney, New South Wales; Wellington, New Zealand, and elsewhere; (24); 9551, 11th April; 33, 20th April.

Pidgeon, E. W., and Co., Limited, Christchurch, New Zealand; (40); 9626, 11th May.

Prestwich, S. and J., Manchester, England; (38); 9642, 9643, 20th May; 50, 15th June.

Procter and Gamble, Cincinnati, United States America; (47); 9596, 27th April; 37, 4th May.

Reckitt's (Oversea), Limited, Wellington, New Zealand; (42); 9591, 27th April; 50, 15th June.

Reckitts (Oversea), Limited, Wellington, New Zealand; (47); 9592, 27th April; 37, 4th May.

Reckitts (Oversea), Limited, Wellington, New Zealand; (50); 9593, 27th April; 42, 18th May.

Rheinische Glashütten Actien Gesellschaft, Köln-Ehrenfeld, Germany; (15); 9590, 27th April; 37, 4th May.

Rickman, A. N., "Rickman Laboratory," Dunedin, New Zealand; (48); 9710, 9th June; 58, 13th July.

Rolls and Linoms, Limited, London, England; (4); 9542, 8th April.

Ross and Glendining, Limited, Dunedin, New Zealand; (38); 9676, 2nd June; 53, 29th June.

Ross and Glendining, Limited, Dunedin, New Zealand; (38); 9677, 2nd June; 50, 15th June.

Salter, G., and Co., West Bromwich, England; (6), (13); 9582, 9583; 26th April.

Sargood, Son, and Ewen, Limited, Dunedin and elsewhere, New Zealand; (38); 9637, 17th May; 46, 1st June.

Seabury and Johnson, East Orange, United States America; (3); 8763, 25th May, 1910; 42, 18th May.

Shepherd Hope, Manchester, England; (34), (38); 9563, 9564, 18th April.

Shepherd and Hope, Manchester, England; (38); 9636, 16th May.

Siderfin, J., and Co., Minehead, England; (37); 9539, 7th April; 33, 20th April.

Southall Bros. and Barclay, Limited, Birmingham, England; (3), (42); 9680, 9681, 6th June; 53, 29th June.

Squire, M., Timaru, New Zealand; (9); 9597, 27th April; 37, 4th May.

Steer, W., Lower Hutt, New Zealand; (50); 9520, 3rd April; 33, 20th April.

Stevenson and Howell, Limited, London, England; (42), (44); 9656, 9657, 25th May; 50, 15th June.

Stewart Timber, Glass, and Hardware Company, Limited, Wellington, New Zealand; (12); 9739, 28th June.

Sydney Soap and Candle Company, Limited, Sydney, New South Wales; (47); 9534, 6th April; 65, 10th August.

Sydney Soap and Candle Company, Limited, Sydney, New South Wales; (48); 9535, 6th April.

Thompson, J., Christchurch, New Zealand; (42); 9605, 3rd May; 42, 18th May.

Tootal Broadhurst Lee Company, Limited, Manchester, England; (25); 9611, 5th May.

Tourist and Health Restort (see under Director).

Tower, A. J. Company, Boston, United States America; (38); 9538, 7th April; 33, 20th April.

Transport Shoe Company, Auckland, New Zealand; (38); 9604, 6th May; 53, 29th June.

Trewhella Bros., Trentham, Victoria; and Birmingham, England; (6); 9550, 11th April; 42, 18th May.

Trythall and Heath, Cambridge, New Zealand; (42); 9503, 27th March; 46, 1st June.

Tyree, A., Christchurch, New Zealand; (38); 9595, 27th April; 37, 4th May.

Union Store (see Dinnan, Vinsen, and Watson).

United Distilleries, Limited, Belfast, Ireland; (43); 9712, 13th June; 58, 13th July.

Vacuum Oil Company Proprietary, Limited, Melbourne, Victoria, and elsewhere; (47); 9576, 20th April.

Vacuum Oil Company Proprietary, Limited, Melbourne, Victoria, and elsewhere; (13); 9678, 2nd June; 62, 27th July.

Van Houten, C. J., and Zoon, Weesp, Holland; (42); 9557, 11th April; 33, 20th April.

Vettewinkel, D., and another, "Japanol Enamel Company," London, England; (1); 9578, 25th April; 53, 29th June.

Vettewinkel, D. H., and another, "Japanol Enamel Company," London, England; (1); 9578, 25th April; 53, 29th June.

APPLICANTS FOR REGISTRATION OF TRADE MARKS—*contd.*

Victis Manufacturing and Packing Proprietary (see A. C. T. Winkelmann).

Viking Rennet Company, Limited, London, England; (42); 9556, 11th April.

Violo Manufacturing Company (C. S. Wilson), Pymble, New South Wales; (50); 9633, 16th May; 53, 29th June.

Vreeland Chemical Company, New York, United States America; (2); 9719, 20th June; 53, 29th June.

Walker, P., and Son, Warrington and Burton, Limited, London and Liverpool, England; (43); 9560, 11th April; 42, 18th May.

Ward, T. E., and another, Sydney, New South Wales; (6); 9607, 4th May; 42, 18th May.

Wardrop and Wallace (see Auckland Fibrous Plaster Company).

Waigh and Sons, Roxburgh, New Zealand; (42); 9631, 15th May; 46, 1st June.

Ward and Payne, Sheffield, England; (12); 9640, 20th May; 46, 1st June.

Ward and Payne, Sheffield, England; (13); 9641, 20th May; 53, 29th June.

Watson Bros., Limited, Palmerston North, New Zealand; (42); 9671, 1st June.

Watson, J., and Co., Limited, Dundee, Scotland; (43); 9525, 6th April; 46, 1st June.

Watson, J., and Co., Limited, Dundee, Scotland; (43); 9526, 9527, 9529, 6th April; 33, 20th April.

Watson, J., and Co., Limited, Dundee, Scotland, "Gow and Ross"; (43); 9528, 6th April; 33, 20th April.

Watson, J., and Co., Limited, Dundee, Scotland, "Ord Distillery Company"; (43); 9530, 9531, 6th April; 33, 20th April.

Watson, J., and Co., Limited, Dundee, Scotland, "Parkmore-Glenlivet Distillery Company"; (43); 9532, 6th April; 33, 20th April.

Watson and McGill (see J. McGill).

Wears, W. E. L., and others, "Australian Embosteel Ceiling Company," Sydney, New South Wales; (13); 9625, 10th May.

Welch, Margetson, and Co., London, England; (38); 9588, 27th April; 42, 18th May.

Wellington Woollen Manufacturing Company, Limited, Wellington, New Zealand; (38); 9523, 4th April; 33, 20th April.

Westminster Tobacco Company, Limited, London, England; (45); 9683, 9684, 6th June; 50, 15th June.

Westminster Tobacco Company, Limited, London, England; (45); 9685, 6th June; 53, 29th June.

White, Madame (see E. W. Wortley).

Wickes, A. J., Blackball, New Zealand; (42); 9618, 8th May; 50, 15th June.

Wiles, H. O., Auckland, New Zealand; (2); 9562, 13th April.

Wilkinson, Heywood, and Clark, Limited, London, England, and Melbourne, Victoria; (47); 9021, 9023, 13th September, 1910; 46, 1st June.

Wilson, C. S. (see Violo Manufacturing Company).

Wilson Malt Extract Company, Dunedin, New Zealand; (42); 9600, 28th April; 46, 1st June.

Wilson Malt Extract Company, Dunedin, New Zealand; (42); 9601, 28th April; 42, 18th May.

Wilson, T., Hakataramea, New Zealand; (2); 9622, 10th May; 46, 1st June.

Wilkinson, Heywood, and Clark, Limited, London, England, and Melbourne, Victoria; (1); 9020, 13th September, 1910; 42, 18th May.

Winkelmann, A. C. T., "Victis Manufacturing and Packing Proprietary," Auckland, New Zealand; (3); 9577, 27th April; 37, 4th May.

Wormald, H. P., and others, "Australian Embosteel Ceiling Company," Sydney, New South Wales; (13); 9625, 10th May.

Wormald, J. D., and others, "Australian Embosteel Ceiling Company," Sydney, New South Wales; (13); 9625, 10th May.

Wortley, E. W., "Madame White," Wellington, New Zealand; (3); 9662, 29th May.

Wright, Dixon, and Witt, Wellington, New Zealand; (38); 9687, 6th June; 50, 15th June.

Wunderlich Limited, Redfern, New South Wales; (5); 9709, 7th June; 65, 10th August.

Zair, G. and J., Birmingham, England; (37); 9646, 9647, 24th May; 50, 15th June.

